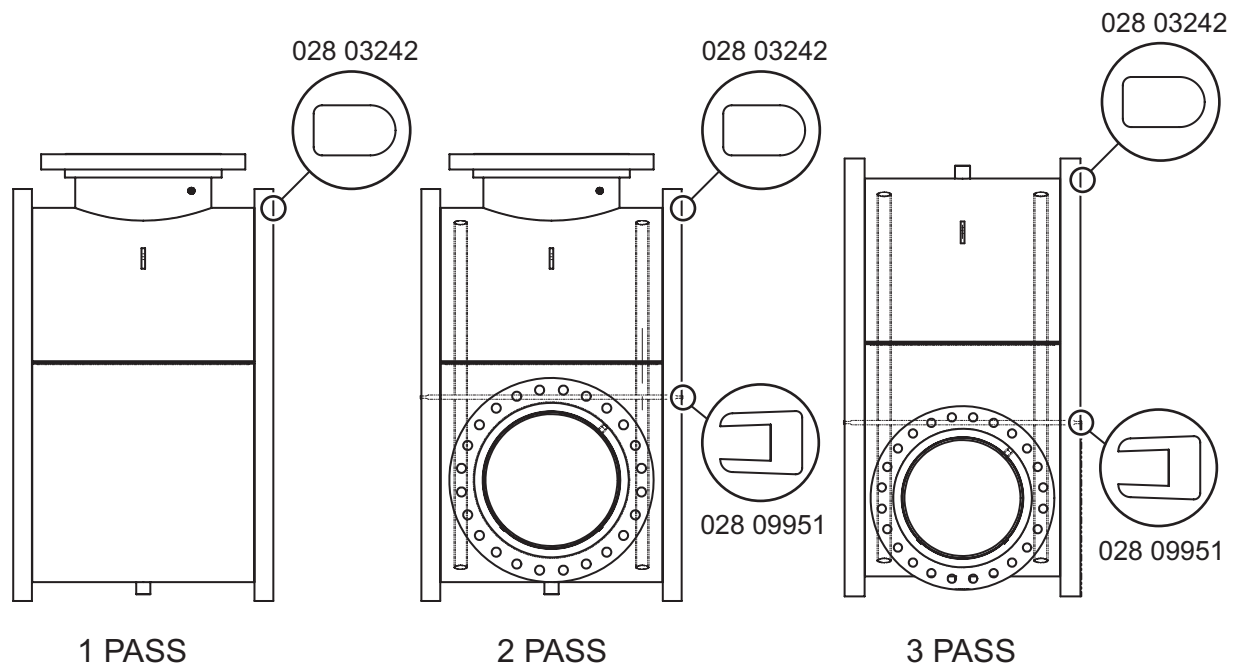


**TABLE 64 - CONDENSER 300# MARINE WATERBOX (MOD B)**

SHELL	1 PASS		2 PASS		3 PASS	
	GASKET P/N	FEET REQ'D	GASKET P/N	FEET REQ'D	GASKET P/N	FEET REQ'D
B	028 03242	56'	028 09951	9'	028 09951	18.25'
			028 03242	42'	028 03242	60'
C	028 03242	56'	028 09951	9.5'	028 09951	18.25'
			028 03242	45'	028 03242	60'
D/E	028 03242	56'	028 09951	9.5'	028 09951	19.5'
			028 03242	45'	028 03242	66'
F/G	028 03242	56'	028 09951	11'	028 09951	22'
			028 03242	52.5'	028 03242	70'
H/K	028 03242	56'	028 09951	11'	028 09951	22'
			028 03242	52.5'	028 03242	70'

**NOTE:**

When ordering Gasket Material specify length required by replacing the -000 with either -025 for 25', -050 for 50', or -100 for 100'.



**FIGURE 77 - CONDENSER 300# MARINE WATERBOX (MOD B)**

LD15387