

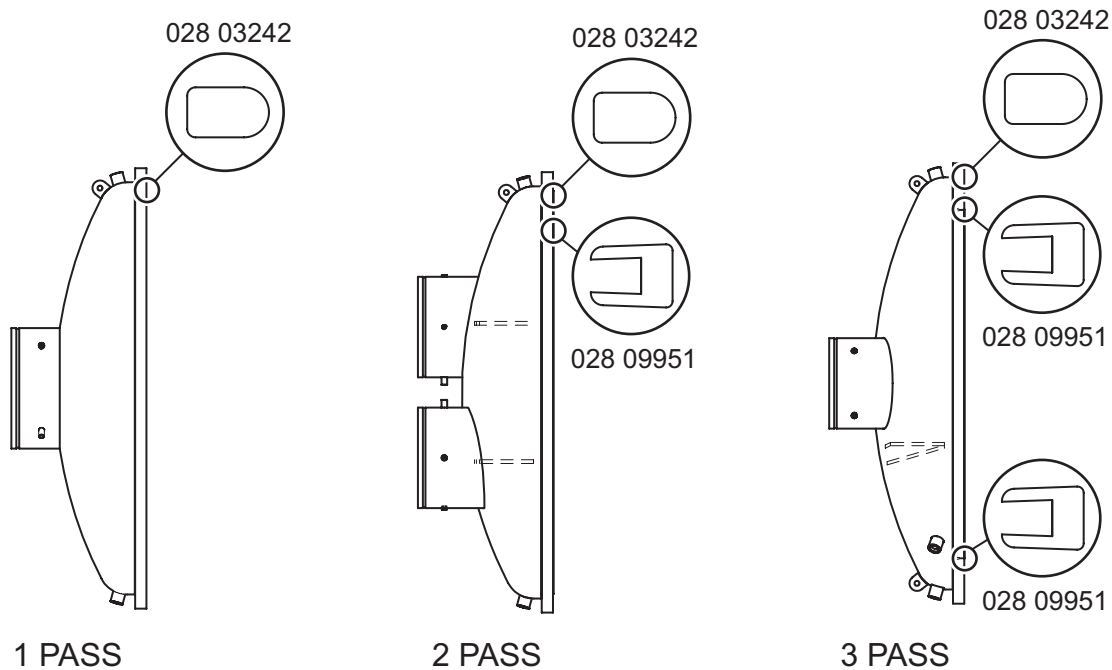
EVAPORATOR COMPACT WATERBOX

TABLE 57 - EVAPORATOR 150# COMPACT WATERBOX (MOD B)

| SHELL | 1 PASS | | 2 PASS | | 3 PASS | |
|------------|------------|------------|------------|------------|------------|------------|
| | GASKET P/N | FEET REQ'D | GASKET P/N | FEET REQ'D | GASKET P/N | FEET REQ'D |
| B | 028 03242 | 38' | 028 09951 | 6' | 028 09951 | 12' |
| | | | 028 03242 | 38' | 028 03242 | 38' |
| C | 028 03242 | 38' | 028 09951 | 6' | 028 09951 | 12' |
| | | | 028 03242 | 38' | 028 03242 | 38' |
| D/E | 028 03242 | 38' | 028 09951 | 6' | 028 09951 | 12' |
| | | | 028 03242 | 38' | 028 03242 | 38' |
| F/G | 028 03242 | 38' | 028 09951 | 6' | 028 09951 | 14' |
| | | | 028 03242 | 38' | 028 03242 | 43' |
| H/K | 028 03242 | 38' | 028 09951 | 6' | 028 09951 | 14' |
| | | | 028 03242 | 38' | 028 03242 | 43' |

NOTE:

When ordering Gasket Material specify length required by replacing the -000 with either -025 for 25', -050 for 50', or -100 for 100'.



LD15388

FIGURE 70 - EVAPORATOR 150# COMPACT WATERBOX (MOD B)