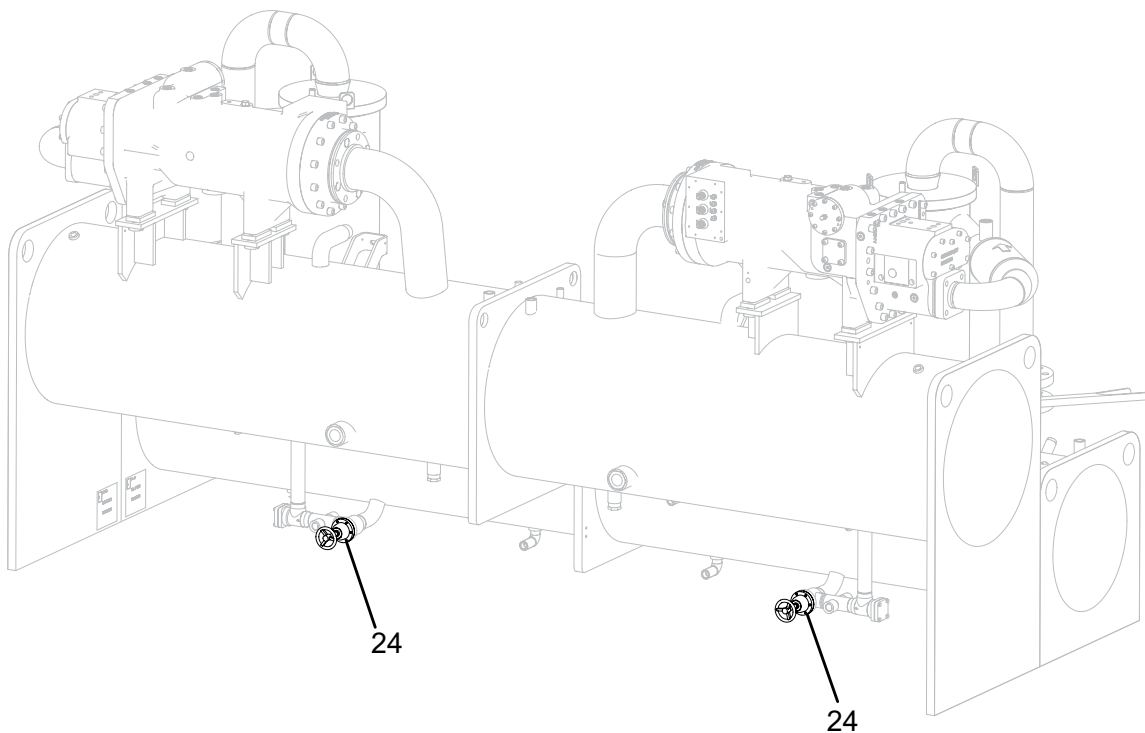


TABLE 8 - UNIT STEEL PIPING FOR DUAL SYSTEMS

ITEM	DESCRIPTION	QUANTECH PART NUMBER	SAP PART NUMBER	QUANTITY	FIGURE
2	Gasket, Flange 3.625 Id 5.75bc	028-15296-000	636248	2	16
6	Muffler, WTS136 WTS145 WTS (Pin 50=A OR G)	392-02730-000	709140	2	16
	Muffler, WTS136 WTS145 WTS (Pin 50=E)	392-02730-900	1091116	2	
23	Gasket, Round ANSI 4.00-150# (Pin 77=L)	028-15075-010	689698	4	16
	Gasket, Round ANSI 4.00-300# (Pin 77=H)	028-15075-059	710158	4	
24	Valve, HW Ang	022-11216-005	397522	2	15
31	Valve, Butterfly 4" High Perf (Pin 38=B & Pin 50=A or G)	022-08874-000	116022	2	16
	Valve, Check Ball OD 101.6mm / 4in FLGFI (Pin 38=B & Pin 50=E)	022-12423-000	990006	2	



LD18890

FIGURE 15 - UNIT STEEL PIPING FOR DUAL SYSTEMS