

HERMETIC COMPRESSOR

External Piping and Plugs

OPEN COMPRESSOR

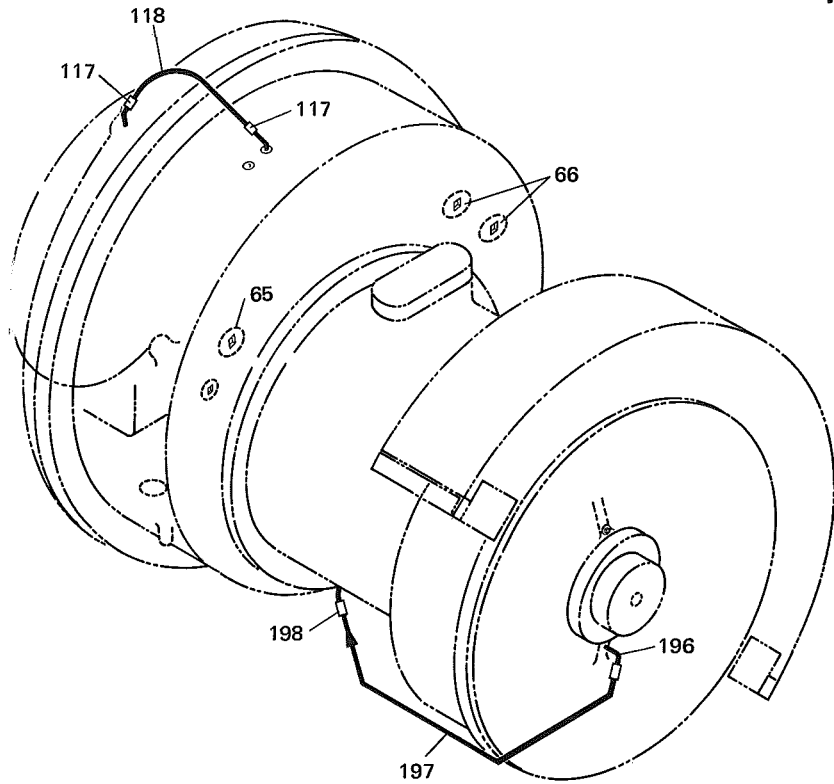


FIG. 14 — HERMETIC COMPRESSOR—MODELS MTH 67 AND 76

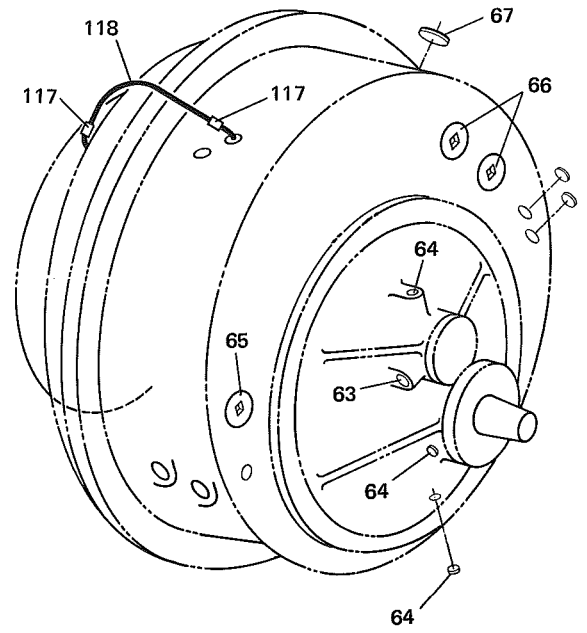


FIG. 16 — OPEN COMPRESSOR — MODELS LTH 67 AND 76

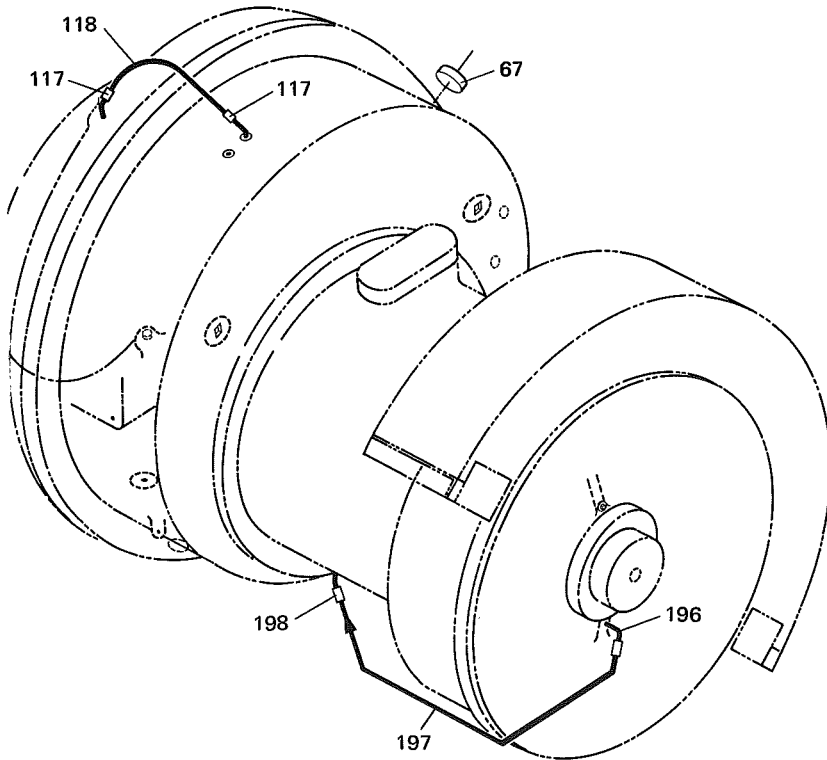


FIG. 15 — HERMETIC COMPRESSOR—MODELS MTH 85 AND 95

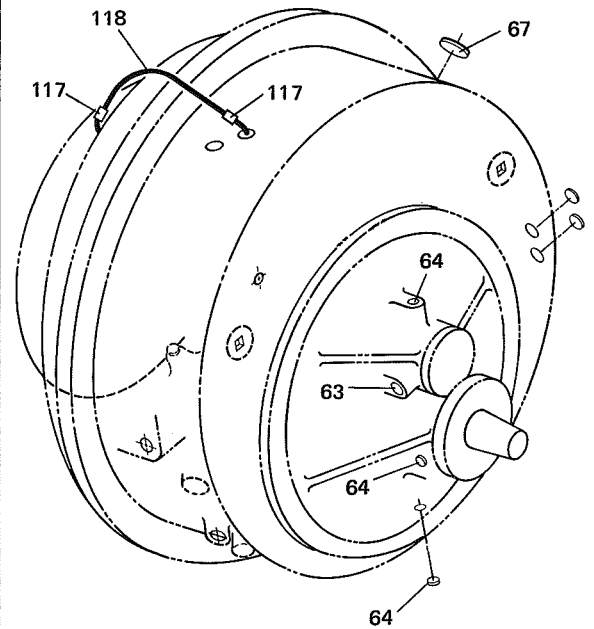


FIG. 17 — OPEN COMPRESSOR — MODELS LTH 85 AND 95