

**Shaft End View  
OPEN COMPRESSOR — MODELS LTH 67 AND 76**

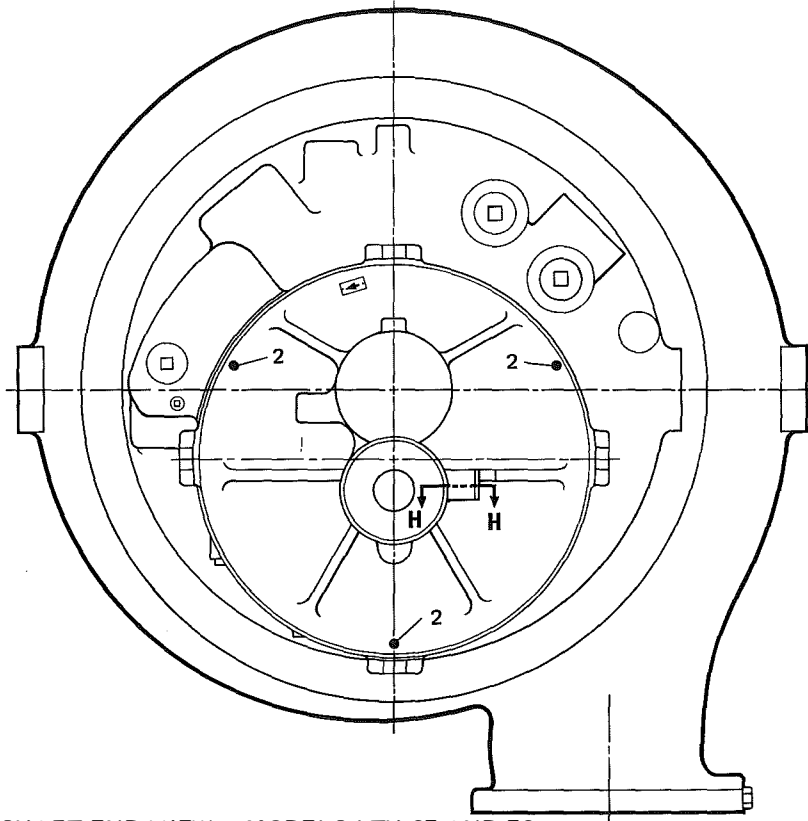


FIG. 11 — SHAFT END VIEW — MODELS LTH 67 AND 76

**OPEN COMPRESSOR — MODELS LTH 85 AND 95**

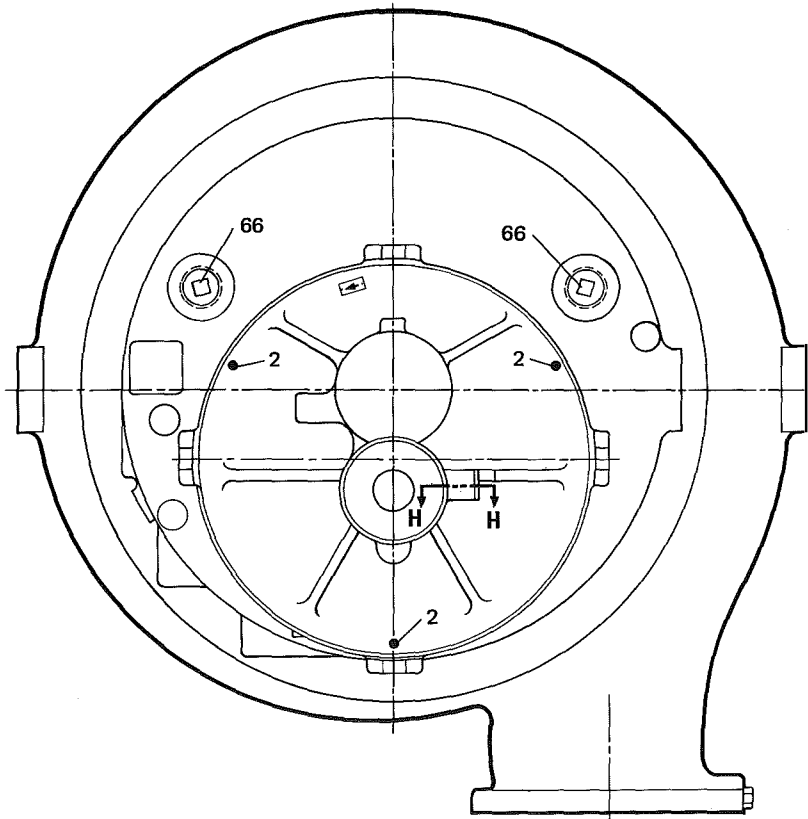
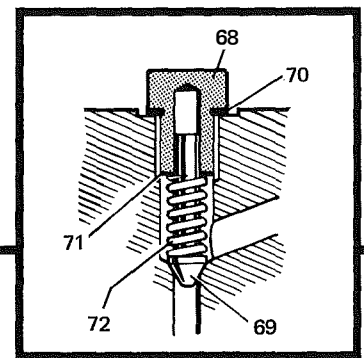


FIG. 12 — SHAFT END VIEW — MODELS LTH 85 AND 95



**Section "H—H"**  
OIL PRESSURE RELIEF VALVE