

COMPRESSOR — MODELS MTH/LTH 67 OR 76 PRV Linkage [External and Internal Parts]

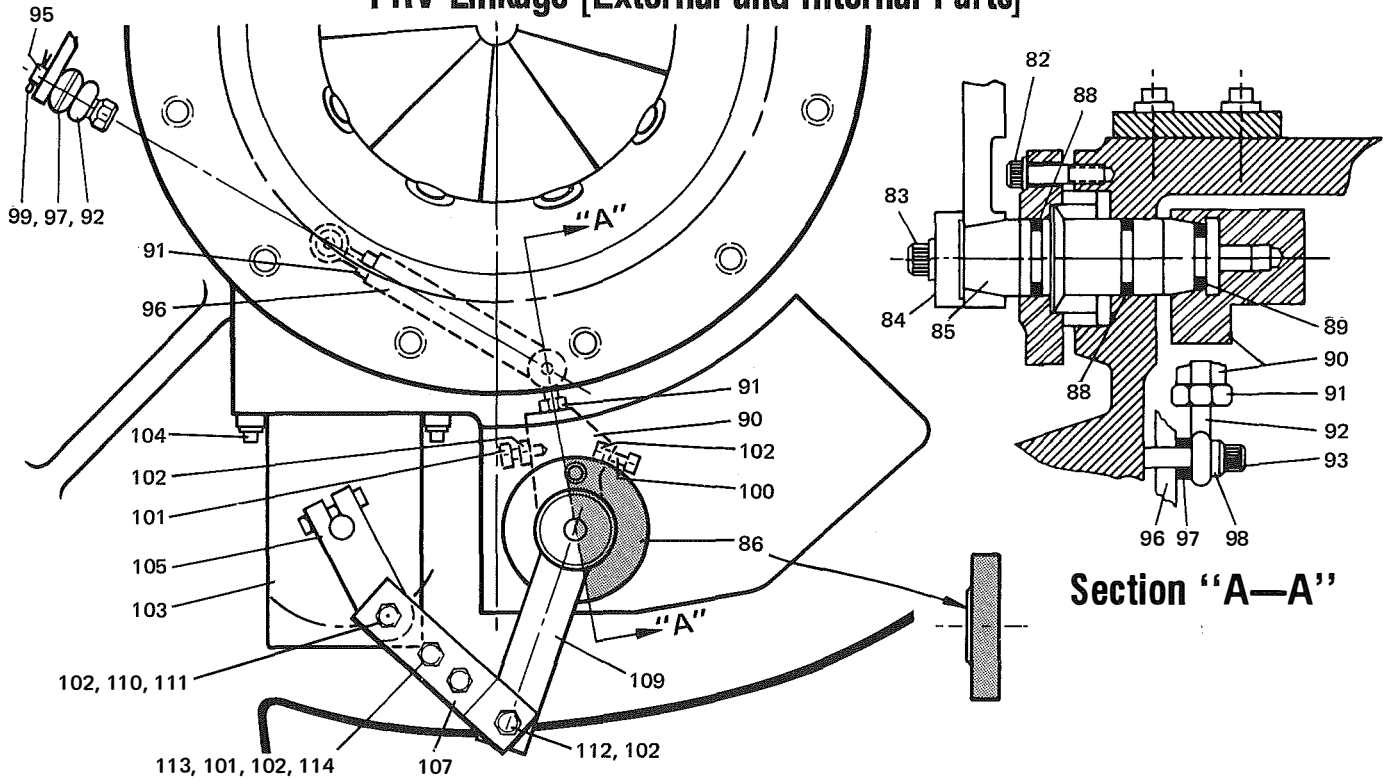


FIG. 5 — PRV LINKAGE — EXTERNAL AND INTERNAL PARTS — MODELS MTH/LTH 67 AND 76

COMPRESSOR — MODELS MTH/LTH 85 OR 95

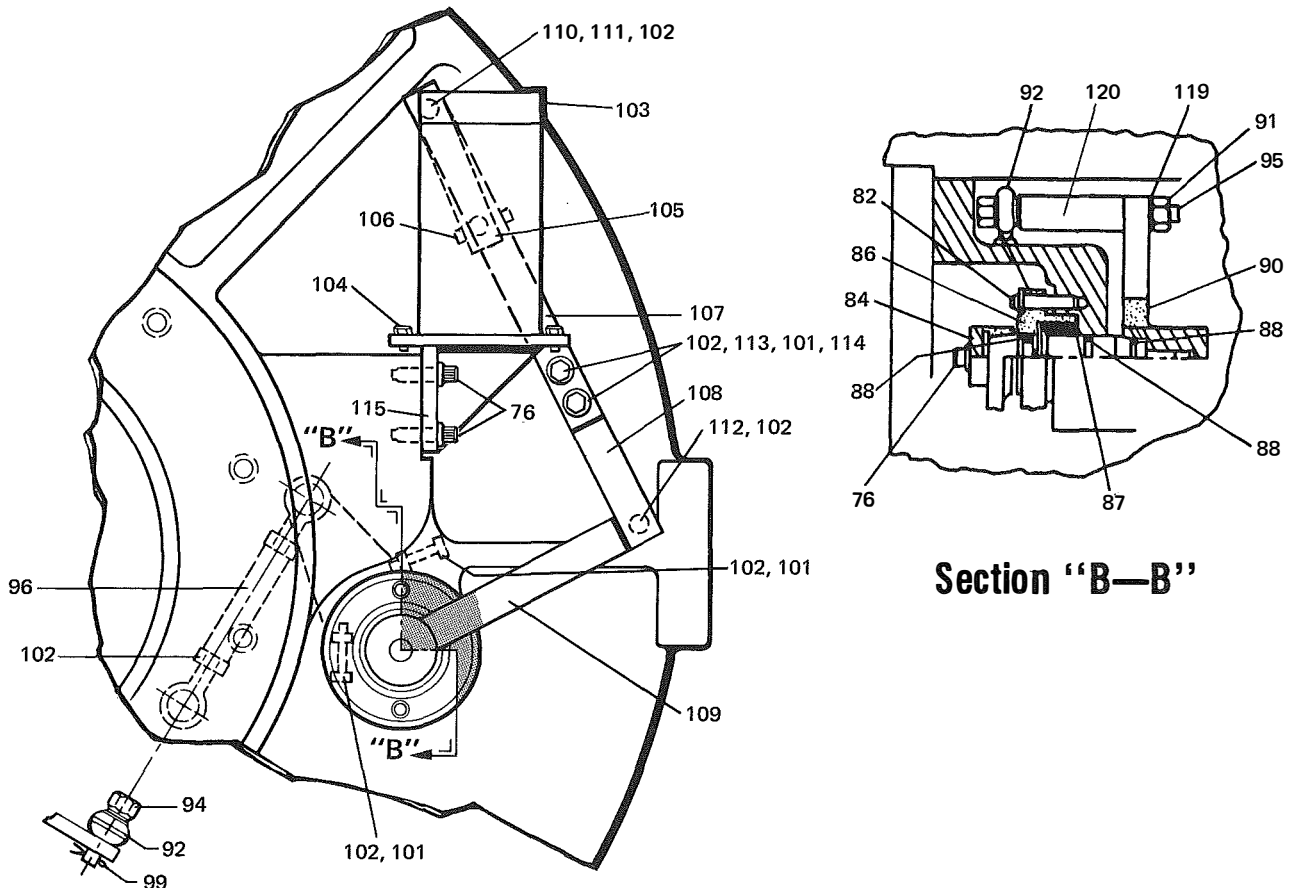


FIG. 6 — PRV LINKAGE — EXTERNAL AND INTERNAL PARTS — MODELS MTH/LTH 85 AND 95