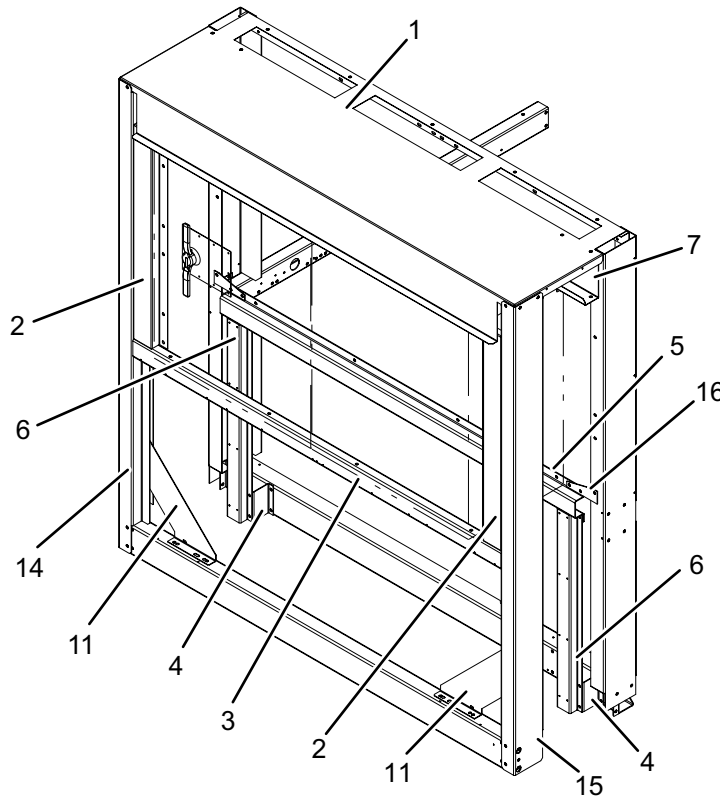


**TABLE 10 - LIMITED AMBIENT MOUNTING KIT**

ITEM	DESCRIPTION	PART NUMBER	SAP	QTY	FIGURE
1	Panel Top Cover	092-24354-001	5171631	1	7
2	Panel Side Control Panel	092-24355-003	5171634	2	7
3	Rail Panel Support	092-24355-005	5171636	1	7
4	Hat Channel Vsd Mounting	092-07072-005	865474	2	7
5	Support Panel	092-24355-006	5171637	1	7
6	Rail Hat Channel 4 Circuit	075-61000-000	754219	2	7
7	Bracket Top Control Panel	092-24355-004	5171635	2	7
11	Bracket Support	075-65645-000	363478	2	7
14	Leg Support Front Left	092-24355-001	5171632	1	7
15	Leg Support Front Right	092-24355-002	5171633	1	7
16	Support Panel	092-24355-007	5171638	2	7



LD20953

**FIGURE 7 - LIMITED AMBIENT MOUNTING KIT**