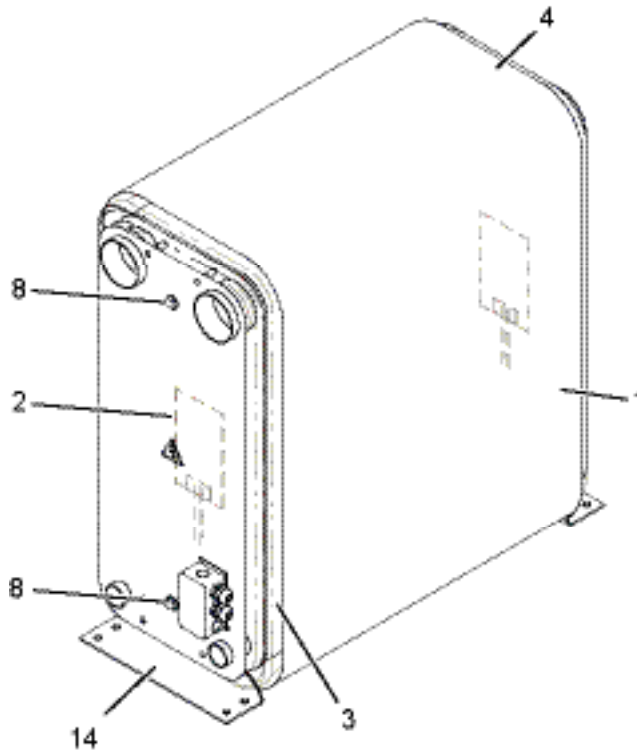


## COOLER

**TABLE 17 - COOLER, INSULATED**

ITEM	DESCRIPTION	MODEL	PART NUMBER	SAP NUMBER	QUANTITY
1	Heat Exchanger 102 Plates	QTC3055T, QTC3060T & QTC3070T	026-46883-102	817281	1
	Heat Exchanger 126 Plates	QTC3075T	026-46883-126	817282	
	Heat Exchanger 190 Plates	QTC3080T, QTC3125T, QTC3150T, QTC3160T	026-46883-190	817284	
	Heat Exchanger 166 Plates	QTC3085T, QTC3090T, QTC3095T, QTC3100T & QTC3120T	026-46883-166	817283	
	Heat Exchanger 250 Plates	QTC3110T, QTC3140T	026-46883-250	817285	
	Heat Exchanger Alfa Laval Ach500dq	QTC3130T	026-46883-251	1094923	
	Heat Exchanger 270 Plates	QTC3170T	026-46883-270	817286	
2	Strip Heater 70W 120V	QTC3055T - QTC3170T	025-45788-000	926437	2
3	Ins Evapr Front 1st Layer Y	QTC3055T - QTC3170T	092-07709-001	817342	1
4	Ins Evapr Back 1st Layer Y	QTC3055T - QTC3170T	092-07709-002	817343	1
8	Well Thermo	QTC3055T - QTC3170T	026-32328-001	740780	2
14	Bracket	QTC3055T - QTC3170T	092-07700-000	817336	1



LD16078

**FIGURE 19 - COOLER, INSULATED**