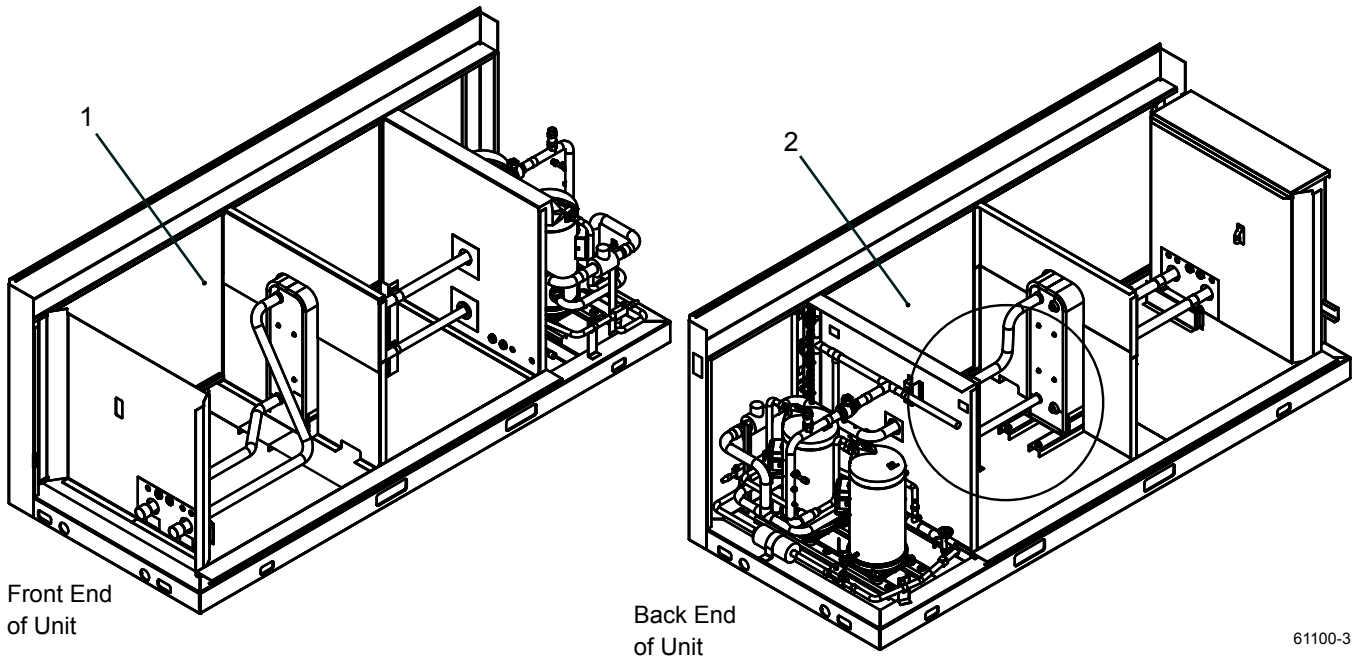


**TABLE 5 - CONDENSER COIL COMPONENTS (QTC2015-QTC2030T)**

ITEM	DESCRIPTION	QUANTITY	QTC2015T	QTC2020T	QTC2025T and QTC2030T	FIGURE
<b>ALUMINUM FIN COILS</b>						
1	Coil Module*	1	375-58294-103	375-58294-203	375-58294-303	5
2		1	375-58294-104	375-58294-204	375-58294-304	
<b>COPPER COILS</b>						
1	Coil Module*	1	375-58294-113	375-58294-213	375-58294-313	5
2		1	375-58294-114	375-58294-214	375-58294-314	
<b>BLACK FIN COILS</b>						
1	Coil Module*	1	375-58294-123	375-58294-223	375-58294-323	5
2		1	375-58294-124	375-58294-224	375-58294-324	
<b>PHENOLIC COILS</b>						
1	Coil Module*	1	375-58294-133	375-58294-233	375-58294-333	5
2		1	375-58294-134	375-58294-234	375-58294-334	

\*Note: Coil Module includes coil and headers.



\*Note: Single Circuit Model Shown.

**FIGURE 5 - CONDENSER COIL LAYOUT**