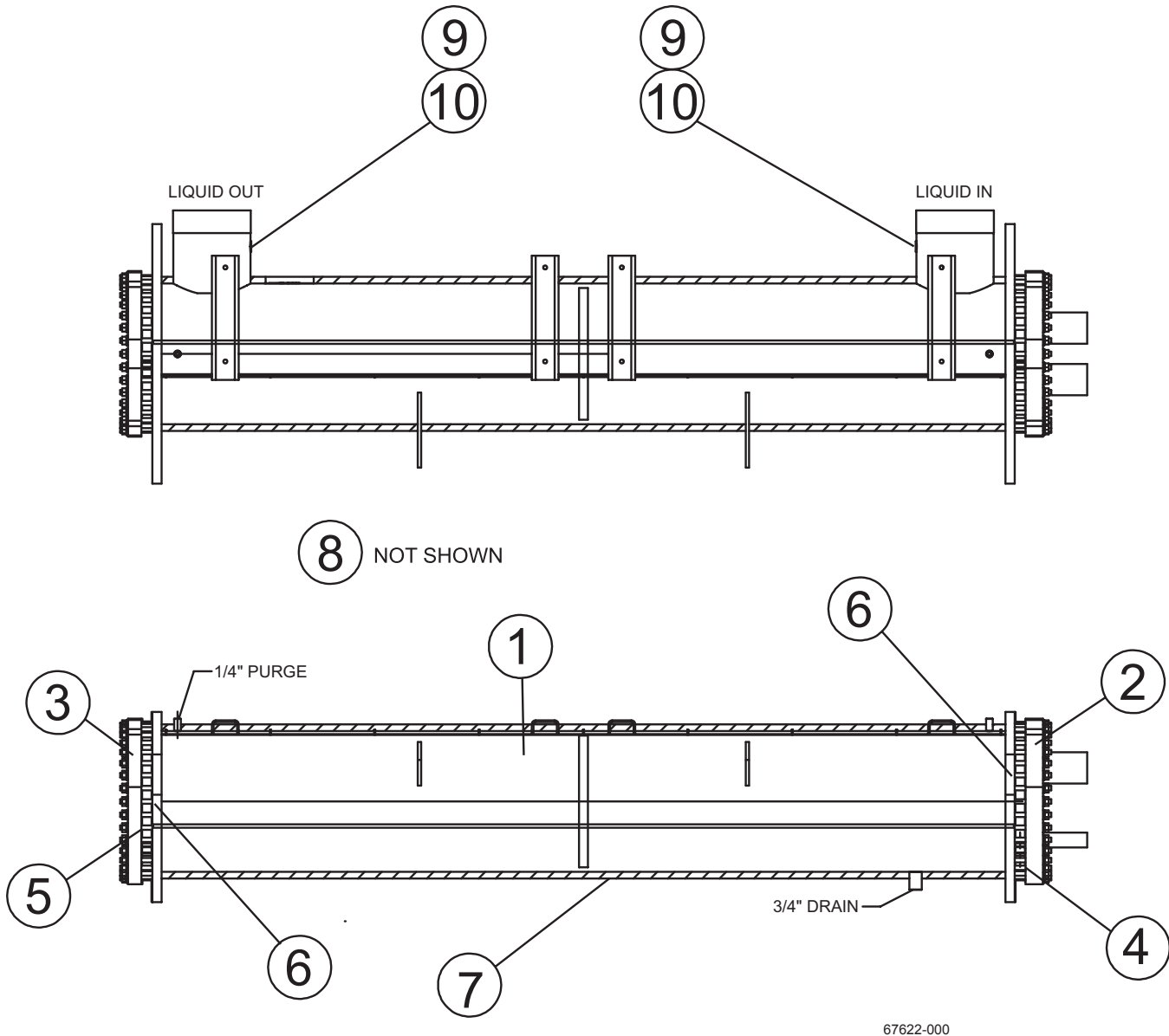


EVAPORATOR COMPONENTS

Service Note:

Pin location 38 in Model Number will be "X" for 150# DWP Cooler.

Pin location 38 in Model Number will be "3" for 300# DWP Cooler.



Service Note:

Standard 150# DWP Cooler Flow Switch - 024-26116-000

Optional 300# DWP Cooler Flow Switch - 024-12144-000

Differential Pressure Switch - 025-30919-000

FIGURE 1 - EVAPORATOR COMPONENTS (REF. TABLE 1, PAGE 7)