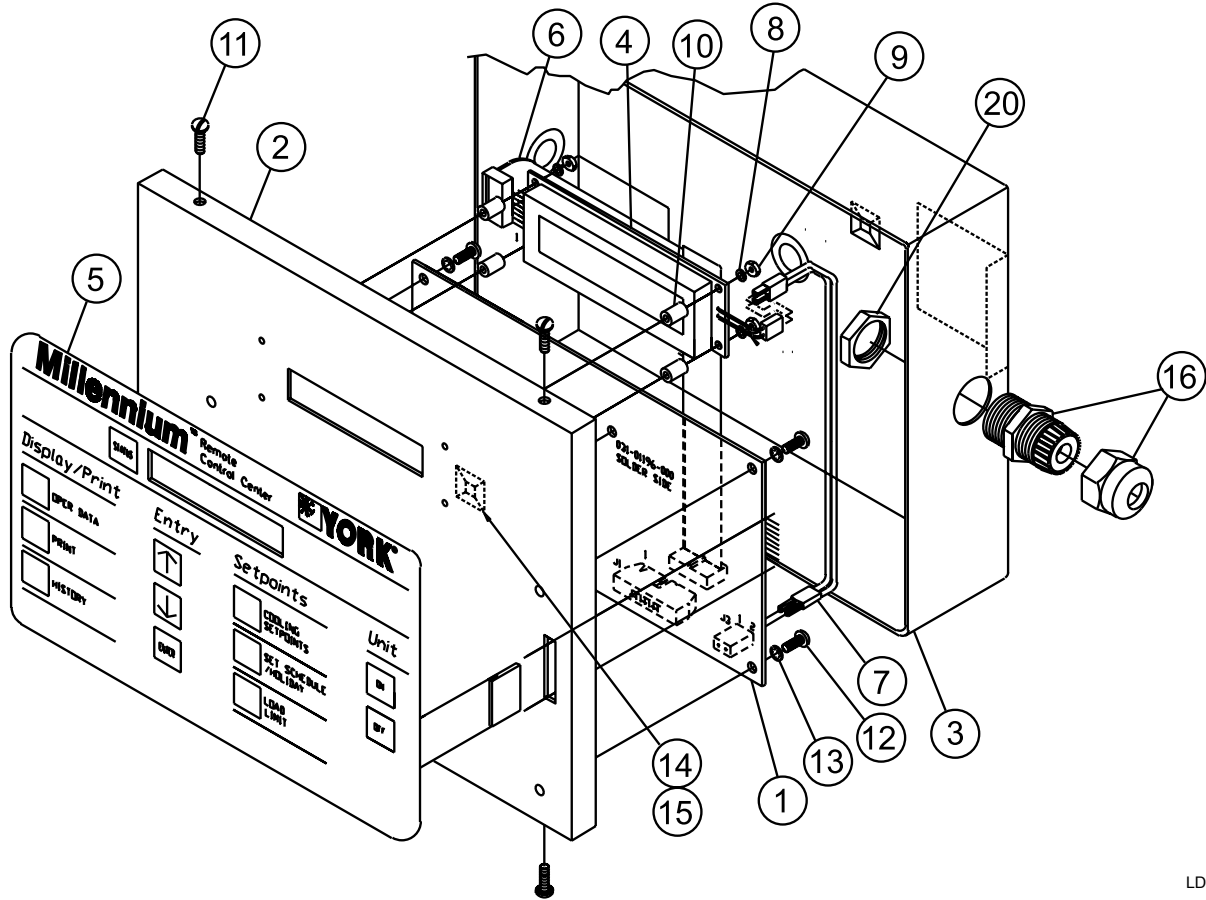


REMOTE CONTROL CENTER



LD05855

FIGURE 21 - REMOTE CONTROL CENTER

TABLE 29 - REMOTE CONTROL CENTER PARTS - 371-02485-104 (60HZ)

ITEM	QTY	DESCRIPTION	PART NUMBER
1	1	Control, Microboard	031-01196-000
2	1	Cover, Remote Control	371-02485-311
3	1	Base, Remote Control	071-02485-320
4	1	Display, LCD	031-01110-000
5	1	Switch, Keypad	024-30930-000
6	1	Ribbon Cable	071-01289-211
7	1	Wire Cable	071-01289-212
10	4	Spacer, Nylon 1/4 Od X 7/16 Long	021-17575-000
11	1	Transformer	025-29917-002
14	3	Cable Tie	025-25155-000
15	1	Eprom	031-02016-003
16	1	Cable Fitting	025-05701-000
17	2	Insulator, Recipak Rooftop	071-01730-000
18	2	Module, Lan Transient Protection (LTP)	031-01586-000
19	1	Installation Instructions	071-01289-002
20	1	Nut, Locking, Heyco - 3232	025-31732-000
21	1	Operator's Manual	150.62-NM1