

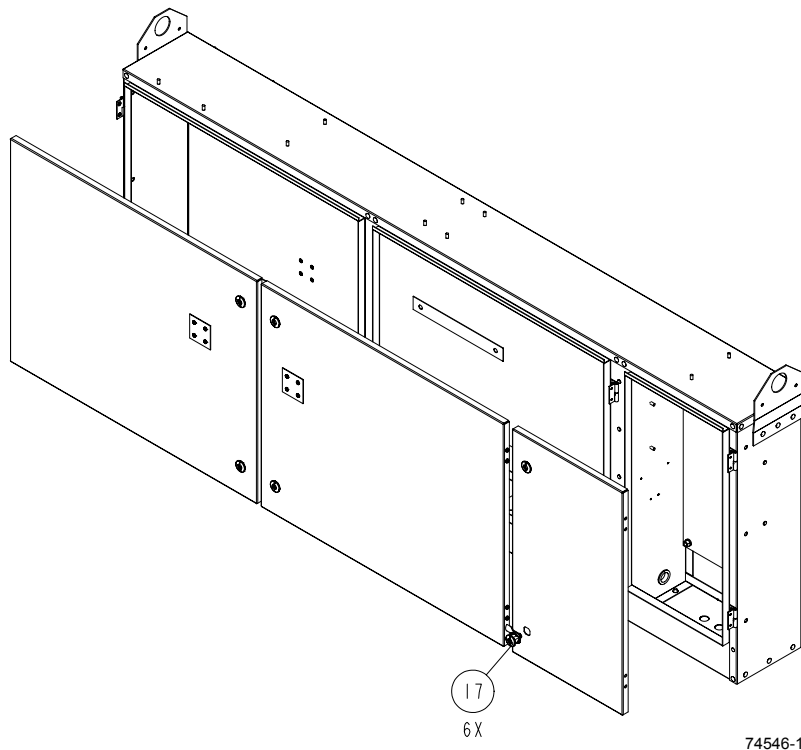
## CONTROL PANEL AND POWER PANEL CONFIGURATIONS

Power panels and option panels are offered in several different configurations using three (3) major components:

1. TERMINAL BLOCKS
2. CIRCUIT BREAKERS
3. NON-FUSED DISCONNECT SWITCHES

The most basic chiller power wiring configuration uses TERMINAL BLOCKS in the power panels, and an options panel with no power wire termination hardware. The model pin number locations 16 and 17 would be X and X to reflect this basic combination. Identify model pin number locations 16 and 17 to identify the chiller power wiring connections and hardware listed below.

PIN 16 AND 17 LETTER CODE IDENTIFIERS		OPTION PANEL AND POWER PANEL CONFIGURATIONS
S	X	Single Point Supply Terminal Block
S	D	Single Point Supply Non-Fused Disconnect Switch
B	X	Single Point Supply Circuit Breaker



ITEM	DESCRIPTION	PART NUMBER
17	Door Lock	021-32078-000
18	Key (Not Shown)	021-32231-000

**FIGURE 9 - CONTROL AND POWER PANEL DOOR LOCK COMPONENTS**