

# COMPRESSOR

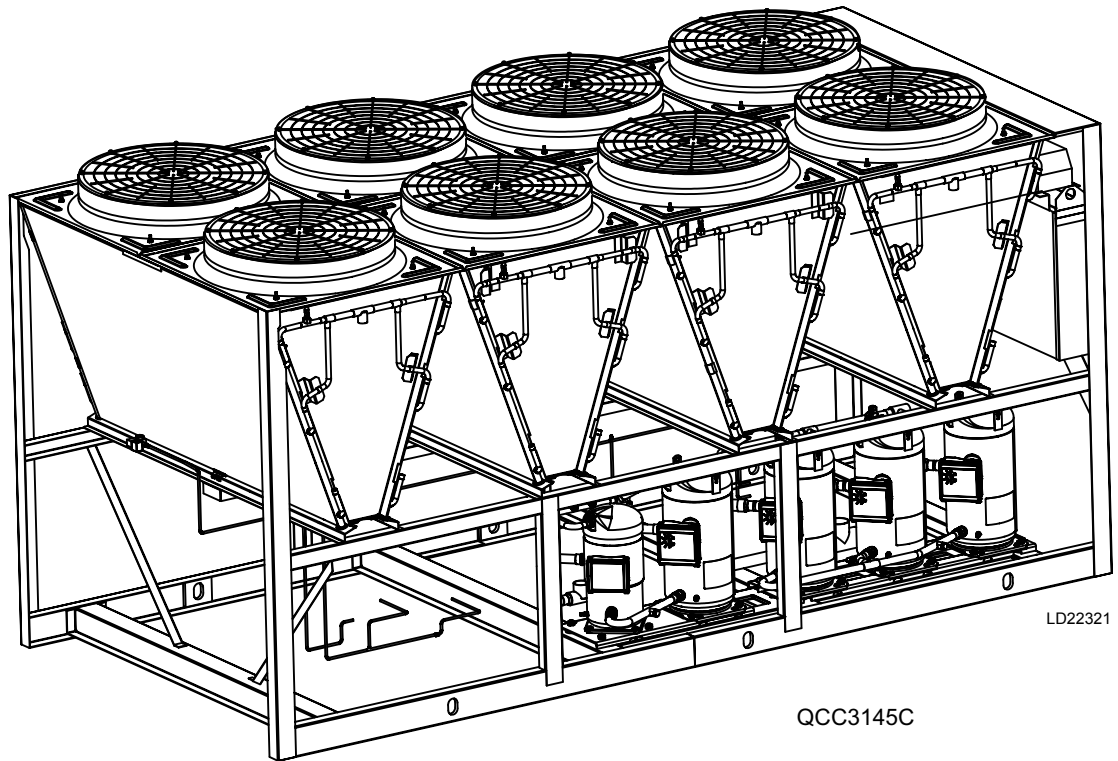
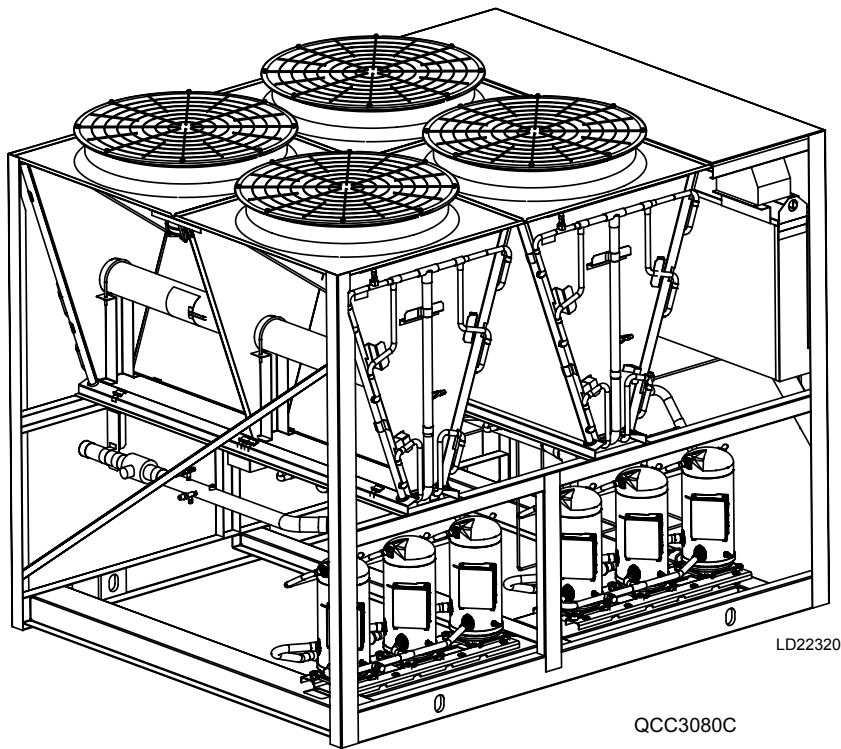


FIGURE 7 - COMPRESSOR LAYOUTS (REFER TO TABLE 6 ON PAGES 15 AND 16)