

| Item No. | Description | Part No. |
|----------|---|-----------|
| | Seal Spacer Complete (Includes Items 1-9) | 364-43437 |
| 1 | Spacer, Seal | 064-28859 |
| 2 | Cap, Oil Relief Valve | 065-06394 |
| 3 | Gasket | 065-21657 |
| 4 | Spring, Helical | 029-06143 |
| 5 | Plunger | 065-01331 |
| 6 | Pin, Insert (2 Req'd) | 029-04750 |
| 7 | Plug Pipe 1/4" | 023-01972 |
| 8 | Conn., Flare | 023-09675 |
| 9 | Plug, Pipe 3/8" | 023-01983 |

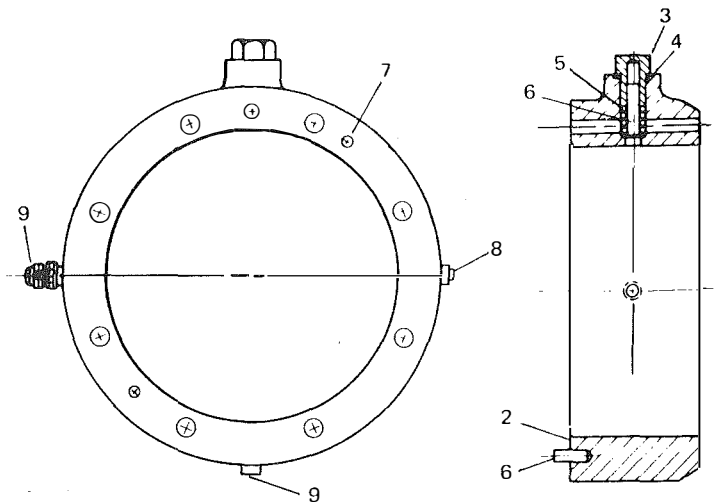
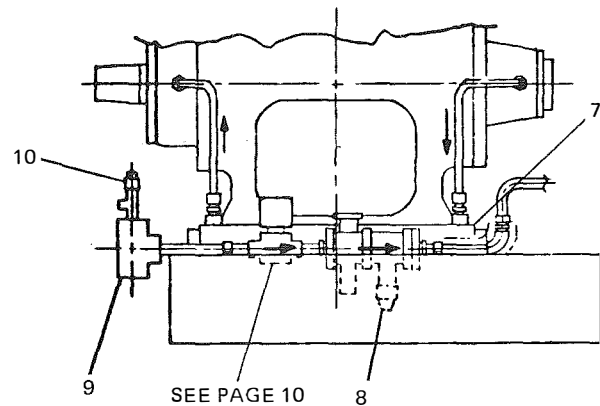


FIG. 3 — SEAL SPACER ASSEMBLY

HALOGEN

| Item No. | Description | Part No. |
|----------|---------------------------|-----------|
| 1 | Valve, Stop | 022-02998 |
| 2 | Valve, Ther. Exp. | 025-19982 |
| 3 | Valve, Stop | 022-03683 |
| 4 | Cooler, Oil | 366-43124 |
| 5 | Strainer | 029-08224 |
| 6 | Heat Exchanger, 6, 8 Cyl. | 364-23659 |
| | 12, 16 Cyl. | 364-26660 |



AMMONIA

| | | |
|----|-------------------|-----------|
| 7 | Cooler, Oil | 366-43124 |
| 8 | Valve, Ther. Exp. | 025-20914 |
| 9 | Strainer, Ammonia | 366-01043 |
| 10 | Valve, Stop | 022-01582 |

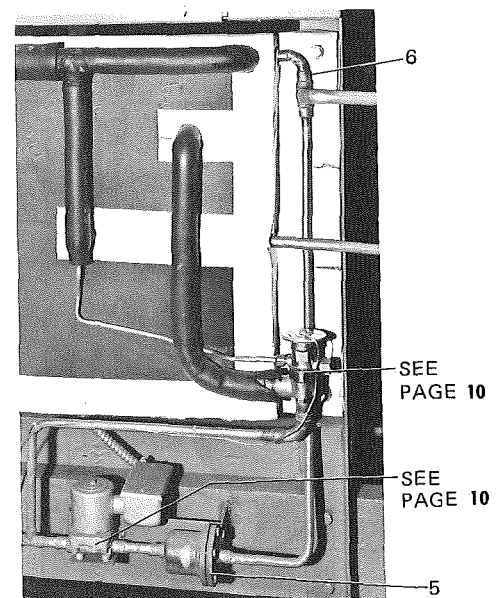
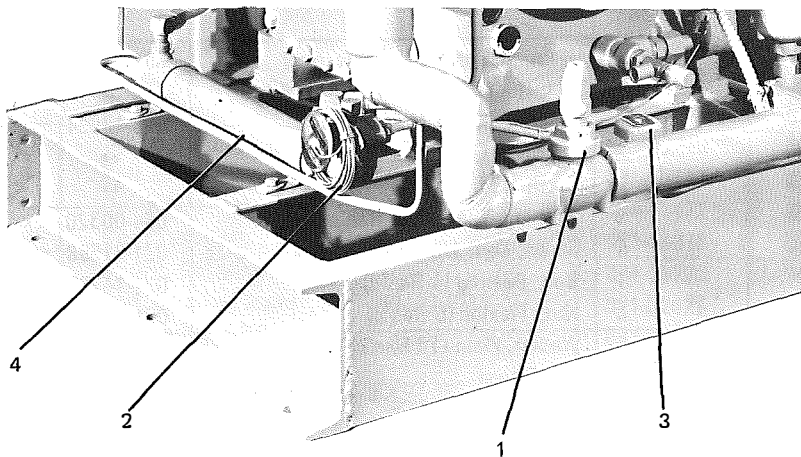


FIG. 4 — OIL/COOLER/DESUPER HEATER COMPONENTS
3B