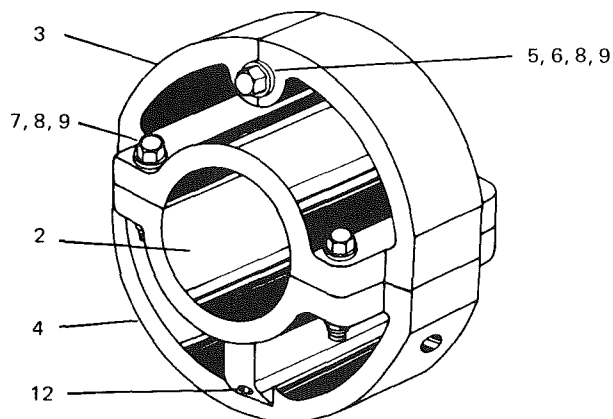


Item No.	Description	YC6	YC8	YC12	YC16
23	Collar, Shaft Seal	064-28897	064-28897	064-28897	064-28897
24	Ball, Locking	029-01845	029-01845	029-01845	029-01845
25	Bearing, Seal End	064-28856	064-28856	064-28856	064-28856
26	Bolt, Bearing; 3/8"–16 x 1-1/4" (4 Req'd.)	021-01485	021-01485	021-01485	021-01485
27	Washer, Flat	021-01274	021-01274	021-01274	021-01274
28	Rod, Connecting	364-41483	364-41483	364-41483	364-41483
29	Bolt, Connecting Rod	064-22949	064-22949	064-22949	064-22949
30	Nut, Locking-Conn. Rod Bolt	021-09932	021-09932	021-09932	021-09932
31	Washer – Conn. Rod Bolt	021-01274	021-01274	021-01274	021-01274
32	Piston	064-45368	064-45368	064-45368	064-45368
33	Ring, Plain (2 Req'd.)	029-15175	029-15175	029-15175	029-15175
34	Ring, Oil	029-04452	029-04452	029-04452	029-04452
35	Spring, Retaining (2 Req'd.)	029-13091	029-13091	029-13091	029-13091
36	Pin, Piston	029-13090	029-13090	029-13090	029-13090
38	Cover, Handhole (With Valve)	364-35720	364-35720	364-35720	364-35720
	Cover Only	064-42490	064-42490	064-42490	064-42490
	Valve	022-01582	022-01582	022-01582	022-01582
39	Cover, Handhole (With Plug)	364-41482	364-41482	364-41482	364-41482
40	Gasket, Handhole Cover	070-02497	070-02497	070-02497	070-02497
41	Bolt, Handhole Cover; 1/2"–13 x 1-1/2 (16 Req'd./Cover)	021-01567	021-01567	021-01567	021-01567
42	Strainer, Suction	029-03847	029-03847	029-03847	029-03847
43	Cover, Strainer	064-28040	064-28040	064-28040	064-28040
44	Stud, Collar	064-00377	064-00377	064-00377	064-00377
45	Nut, Strainer Cover Stud	021-00466	021-00466	021-00466	021-00466
46	Gasket, Stud	028-00757	028-00757	028-00757	028-00757
47	Lockwasher, Stud	021-05269	021-05269	021-05269	021-05269
48	Gasket, Strainer Cover To Compr. (2 Req'd.)	070-03808	070-03808	070-03808	070-03808
49	Bolt, 3/8"–16 x 1-1/8; Strainer Cover To Compr.	021-01483	021-01483	021-01483	021-01483
50	Seal Ring; Cylinder Sleeve (No Req'd.)	028-03878 6	028-03878 8	028-03878 12	028-03878 16
51	Sightglass, Oil Level (2 Req'd.)	026-17581	026-17581	026-17581	026-17581
52	Cover, Handhole (Plain) (2 Req'd.)	—	—	064-42088	064-42088



Item No.	Description	Part No.
1	Housing, Bearing (Less Bearing) Includes Items 3, 4, 5, 6, 7, 8 & 9	364-29050
2	Bearing, Center Main*	029-13494
3	Casting, Upper Half	**
4	Casting, Lower Half	**
5	Bushing, Tapered (2 Req'd)	064-00320
6	Screw, Cap. 1/2 x 13UNC2A x 3-1/2 Lg.	021-01598
7	Bolt, Bearing (4 Req'd)	021-14780
8	Nut, Flexloc (5 Req'd)	021-13257
9	Washer, Plain (10 Req'd)	021-05155
10	Pin, Dowel	064-32853
11	Plug, Pipe 3/8 NPTE	023-01983
12	Plug, Pipe w/No. 5 Orifice	064-29216

\*Part No. given is only one half of the bearing. Two pieces must be ordered to get a complete bearing.

\*\* Not available separately.

FIG. 2 — CENTER MAIN BEARING