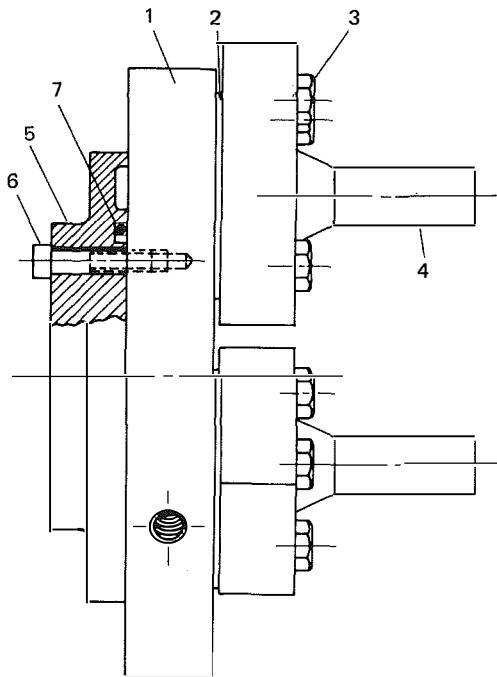


Item	Description	Part No.
1	Cylinder with Unloader Parts Complete (Assembly Includes Items 2 thru 10)	364-31546
2	Sleeve, Cylinder	064-28852
3	Sleeve, Unloader Device	064-28885
4	Ring, Support Unloader	064-28902
5	Pin, Insert 1/8 Dia. x 5/8 Lg.	029-07238
6	Ring, Retaining	029-11357
7	Spring, Helical (6)	029-12741
8	Spring, Helical (6)	029-13487
9	Ring, Retaining (6)	029-09016
10	Pin, Lift (6)	029-13444

FIG. 15— CYLINDER SLEEVE W/UNLOADER PARTS

ITEM	DESCRIPTION	PART NO.
1	Body 4 Cylinder 6 Cylinder 8, 12, & 16 Cylinder	064-37179 064-29220 064-28969
2	Gasket, Solenoid (1 Per Solenoid)	064-28982
3	Cap Screw 1/4" x 1-1/4" (4 Per Solenoid)	021-01392
4	Valve, Solenoid (Less Coil)* 4 Cylinder, 1 Req'd. 6 Cylinder, 2 Req'd. 8, 12, & 16 Cylinder, 3 Req'd.	
5	Cover	064-28983
6	Cap Screw #10 x 1" (3 Req'd.)	021-10153
7	"O" Ring Elbow, 90° Flare Connection, Flare Elbow, 45° Flare	028-05166 023-09678 023-09669 023-09934



* See Fig. 4 for valve and coil part numbers.

FIG. 16— CAPACITY CONTROL COMPONENTS