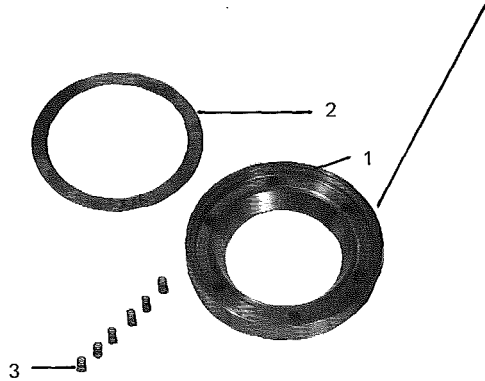
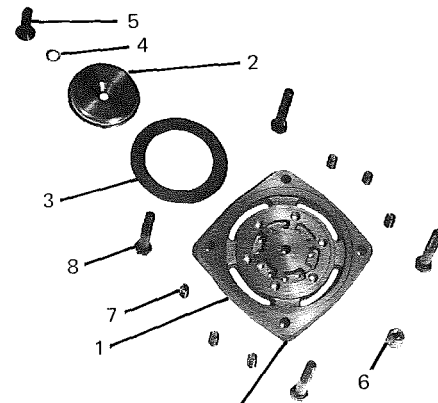


064-42715 (AMMONIA)  
ONE IDENTIFICATION GROOVE  
064-42716 (HALOCARBON)  
TWO IDENTIFICATION GROOVES



Item	Description	Part No.
1	Assembly (includes items 1-3)	
	Ammonia	364-42717
	Halocarbon	364-42718
2	Plate, Valve	
	Ammonia	064-42715
3	Valve, Suction	064-21897
	Spring, Helical (6)	029-13813

FIG. 11— SUCTION VALVE

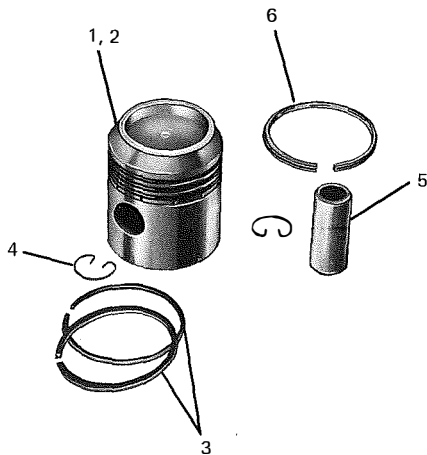


AMMONIA HAS 30°  
CHAMFER, THIS SIDE, ALL CORNERS

Item	Description	Part No.
1	Assembly (Includes items 1-7)	
	Ammonia	364-44472
	Halocarbon	364-42306
2	Cage, Disch. Valve	*
	Ammonia	*
3	Plate, Disch. Valve	064-21754
	Valve, Disch.	064-21898
4	Gasket	028-08386
5	Scr., Inner Disch.	021-13856
6	Nut, Self Locking	021-09932
7	Spring, Helical	029-13248
8	Screw, Cap 3/8 x 2 1/2 Lg. (4 per Valve)	021-10037

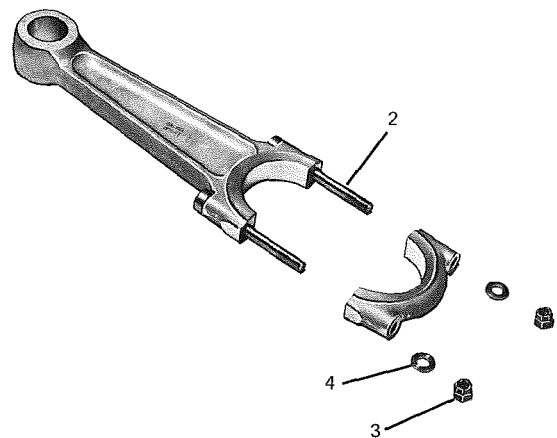
\* Discharge Valve Cage, Item 1, not available separately.  
Order assembly #364-44472 or #364-42306.

FIG. 12— DISCHARGE VALVE



Item	Description	Part No.
1	Piston, Replacement Complete	364-44437
2	Piston, Bare	064-43970
3	Ring, Piston (Plain End) (2 Req'd)	029-15175
4	Spring, Retaining (2 Req'd)	029-13091
5	Pin Piston	029-13090
6	Ring, Piston	029-04452

FIG. 13— PISTON



Item	Description	Part No.
1	Connecting Rod Complete	364-42731002
2	Bolt, Conn. Rod (2)	064-22949
3	Nut, Self Locking (2)	021-09932
4	Washer, Flat (2)	021-01274

FIG. 14 — CONNECTING ROD