

Item	Description	Part No.
	Float Complete	364-45530
1	Body, Valve	064-45531
2	Lever, Float	068-04542
3	Valve, Float	068-04545
4	Ball, Float	022-00530
5	Pin, Valve	068-01594
6	Pin, 1/4 Dia. x 15/16	065-02071
7	Nut, Self Locking 5/16 - 24	021-09610
8	Gasket CU 13/16 OD x 21/32 ID	028-03014
9	Lockwasher 5/8	021-05251
10	Nut, Hex Jam 5/8 - 18	021-08073
11	Bonnet Flare 3/8	023-01025
12	Nut, Flare 3/8	021-05676
13	Pin, Roll	029-08228

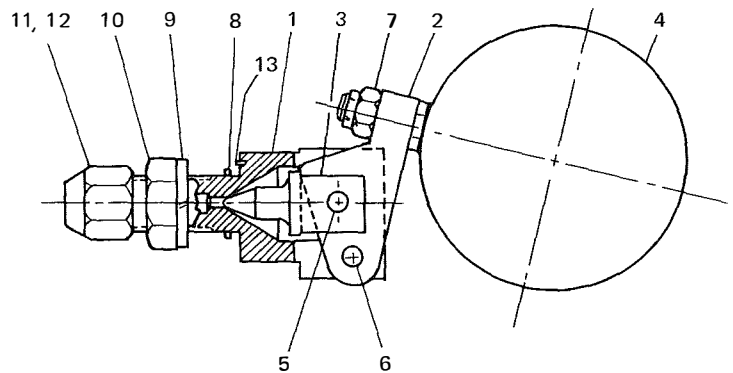
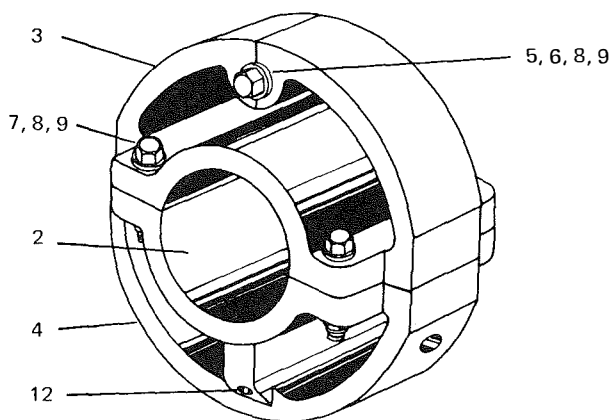


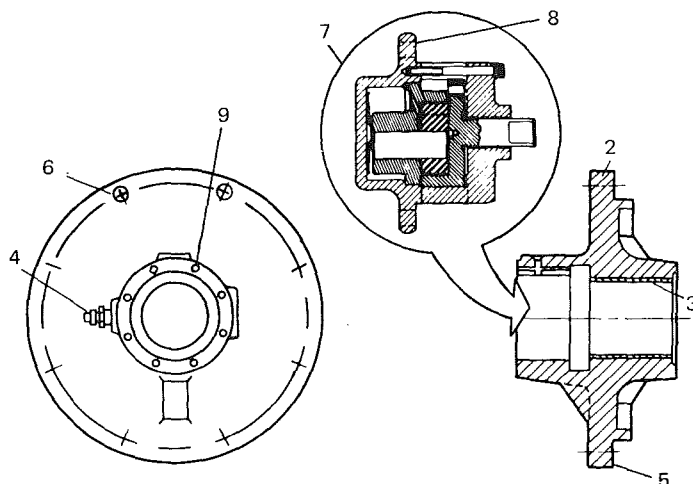
FIG. 8— CRANKCASE FLOAT



Item	Description	Part No.
1	Housing, Bearing (Less Bearing) Includes Items 3, 4, 5, 6, 7, 8 & 9	364-29050
2	Bearing, Center Main*	029-13494
3	Casting, Upper Half	009-00873
4	Casting, Lower Half	009-00874
5	Bushing, Tapered (2 Req'd.)	064-00320
6	Screw, Cap. 1/2 x 13UNC2A x 3-1/2 Lg.	021-01598
7	Bolt, Bearing (4 Req'd.)	021-14780
8	Nut, Flexloc (5 Req'd.)	021-13257
9	Washer, Plain (10 Req'd.)	021-05155
10	Pin, Dowel	064-32853
11	Plug, Pipe 3/8 NPTE	023-01983
12	Plug, Pipe w/ #5 Orifice	064-29216

*Part No. given is only one half of the bearing. Two pieces must be ordered to get a complete bearing.

FIG. 9— CENTER MAIN BEARING



Item	Description	Part No.
1	Head, Brg. Pump End (Complete Assem.— Includes Items 2, 3 & 4)	364-31541
2	Head, Brg. Pump End (Bare)	064-28842
3	Bearing, Pump End	029-14059
4	Connr., FLA 1/2 O.D. x 3/8 NPTE	023-09675
5	Gasket, Bearing Head	064-27289
6	Screw, Bearing Head (8 per Compr.)	021-02751
7	Pump, Oil Assembly (Spenex) (Tuthill)	026-20144 364-05894
8	Gasket, Oil Pump	064-20109
9	Screw, Cap Oil Pump (8 per Pump)	021-01425

FIG. 10— BEARING HEAD AND OIL PUMP ASSEMBLY