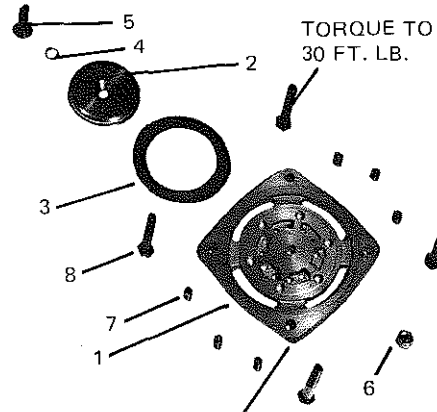


ITEM	DESCRIPTION	PART NO.
	Assembly (Includes items 1-7)	
	Ammonia	364-44472
	Halocarbon	364-42306
1	Cage, Disch. Valve	*
	Ammonia	*
	Halocarbon	*
2	Plate, Disch. Valve	064-21754
3	Valve, Disch.	064-21898
4	Gasket	028-08386
5	Scr., Inner Disch.	021-13856
6	Nut, Self Locking	021-09932
7	Spring, Helical	029-13248
8	Screw, Cap 3/8x2 1/2 Lg. (4 per Valve)	021-10037

*Discharge Valve Cage, Item 1, not available separately.
Order assembly #364-44472 or #364-42306.



064-44471 (AMMONIA) HAS 30°
CHAMBER, THIS SIDE, ALL CORNERS

FIG. 1 – DISCHARGE VALVE CAGE ASSEMBLY

ITEM	DESCRIPTION	PART NO.
	Assembly (includes items 1-3)	
	Ammonia	364-42717
	Halocarbon	364-42718
1	Plate, Valve	
	Ammonia	064-42715
	Halocarbon	064-42716
2	Valve, Suction	064-21897
3	Spring, Helical (6)	029-13813

064-42715 (AMMONIA)
ONE IDENTIFICATION GROOVE
064-42716 (HALOCARBON)
TWO IDENTIFICATION GROOVES

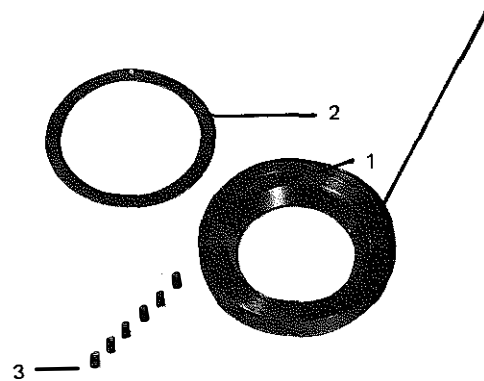


FIG. 2 – SUCTION VALVE PLATE ASSEMBLY