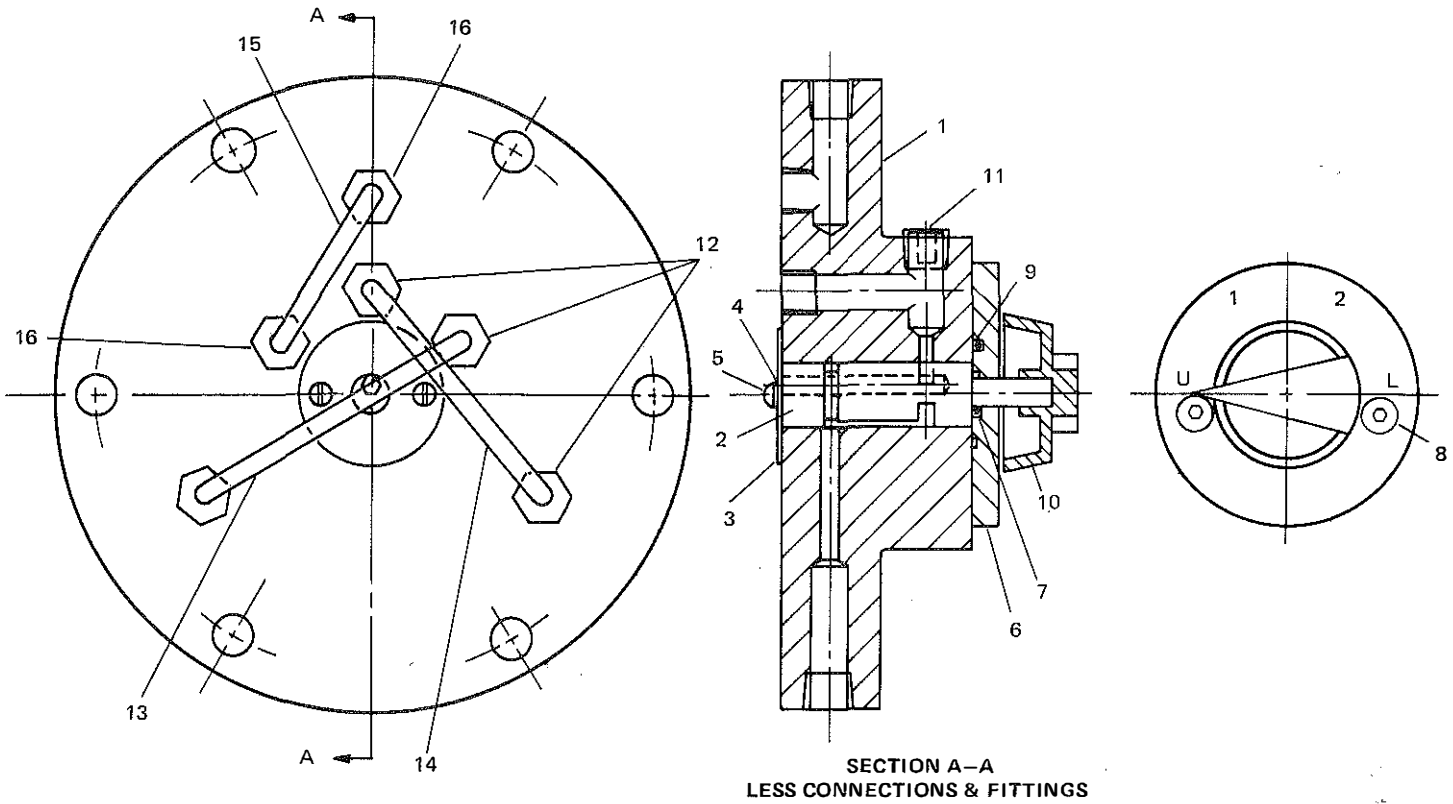


MANUAL

ITEM	DESCRIPTION	PART NO.
1	Valve Body	064-28884
2	Plunger	064-28903
3	Retaining Plate	064-36590
4	Lockwasher, Spring #10 (2 Req'd.)	021-05287
5	Screw #10 x 3/8" (2 Req'd.)	021-01758
6	Cover Plate	064-36591
7	"O" Ring 1/4" I.D.	028-08959
8	Screw, Socket HD #10 x 1/2" (2 Req'd.)	021-12425
9	"O" Ring 7/8" I.D.	028-04845
10	Knob	029-09293
11	Pipe Plug 1/8"	023-01970
12	Connection, Flare 3/16 O.D. x 1/8 NPTE (4 & 6 Cylinder Models - 4 Req'd.) (8, 12, & 16 Cylinder Models - 6 Req'd.)	023-09666
13	Connection	364-29204
14	Connection	364-29205
15	Connection (8, 12, & 16 Cylinder Models Only)	364-29206
16	Pipe Plug (4 & 6 Cylinder Models Only) Elbow, 90° Flare Tee, Flare Connection, Flare Elbow, 45° Flare	023-01970 023-09678 023-09684 023-09669 023-09934



SUBJECT TO CHANGE WITHOUT NOTICE
PRINTED IN U.S.A.

SHU 4M 1173 .05
Form 180.50-RP (Supl.1)

Code: S(N) & R(N)
S(N) & R(NP) - Int.



P.O. BOX 1592, YORK, PENNSYLVANIA 17405