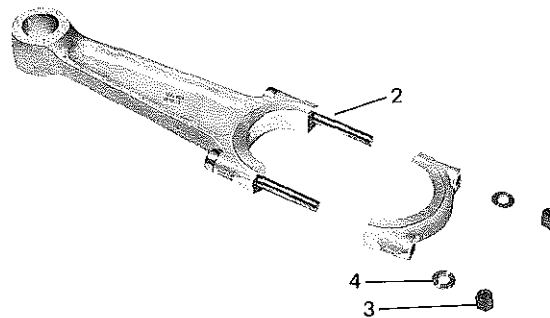


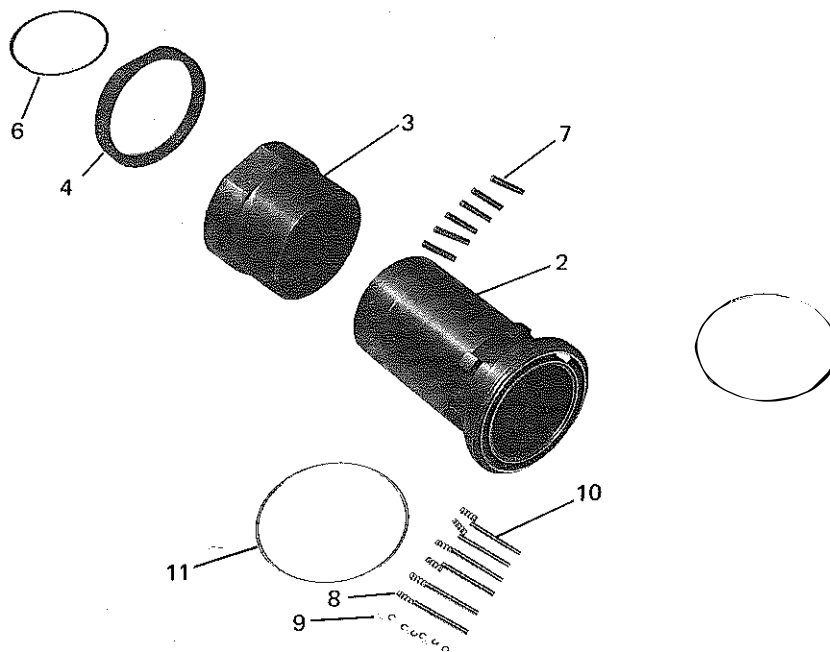
Item	Description	Part No.
1	Piston, Replacement Complete	364-37001
2	Piston, Bare	064-27283
3	Ring, Retaining	029-15176
4	Ring, Piston (Step Gap)	029-15177
5	Ring, Piston (Plain End)	029-15175
6	Spring, Retaining (2 Req'd)	029-13091
7	Pin Piston	029-13090

FIG. 13— PISTON  $\Delta$



Item	Description	Part No.
1	Connecting Rod Complete	364-28798
2	Bolt, Conn. Rod (2)	064-22949
3	Nut, Self Locking (2)	021-09932
4	Washer, Flat (2)	064-00363

FIG. 14— CONNECTING ROD



Item	Description	Part No.
1	Cylinder with Unloader Parts Complete (Assembly Includes Items 2 thru 10)	364-31546
2	Sleeve, Cylinder	064-28852
3	Sleeve, Unloader Device	064-28885
4	Ring, Support Unloader	064-28902
5	Pin, Insert 1/8 Dia. x 5/8 Lg.	029-07238
6	Ring, Retaining	029-11357
7	Spring, Helical (6)	029-12741
8	Spring, Helical (6)	029-13487
9	Ring, Retaining (6)	029-09016
10	Pin, Lift (6)	029-13444
11	Gasket, Valve Spacer (2 per Cylinder)	064-21704

FIG. 15— CYLINDER SLEEVE W/UNLOADER PARTS