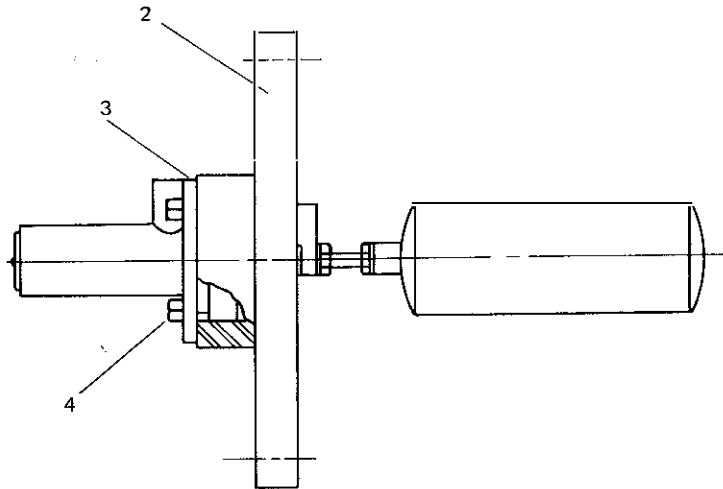
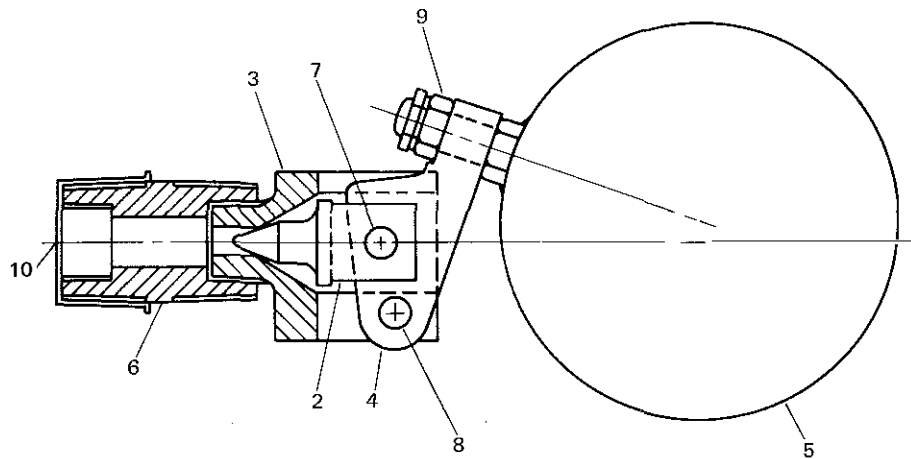


PHILLIPS FLOAT



Item	Description	Part No.
1	Cover, Handhole w/Float	364-34543
2	Cover, Handhole alone	364-34542
3	Valve, Float	022-02474
4	Screw, Cap. 1/4 x 20UNC x 5/8 Lg. (4 Req'd.)	021-01372

YORK FLOAT



Item	Description	Part No.
1	Valve, Float (Complete Assembly)	468-04540
2	Valve, Float, Base	068-04545
3	Valve, Body	068-04541
4	Lever, Float	068-04542
5	Ball, Float 3-1/2 Dia.	022-00530
6	Nipple, Pipe 3/4 x 3-7/8 Lg.	070-14992
7	Pin - Valve 1/4 Dia. x 13/16 Lg.	068-01594
8	Pin 1/4 Dia. x 1-3/16 Lg.	068-04544
9	Nut, Hex Self Locking 5/16	021-09610
10	Cap, Sealing	028-05015

FIG. 8- CRANKCASE FLOATS