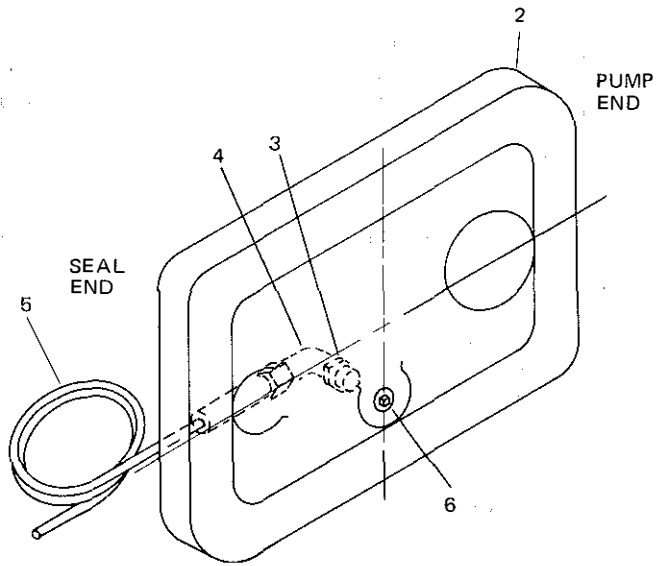
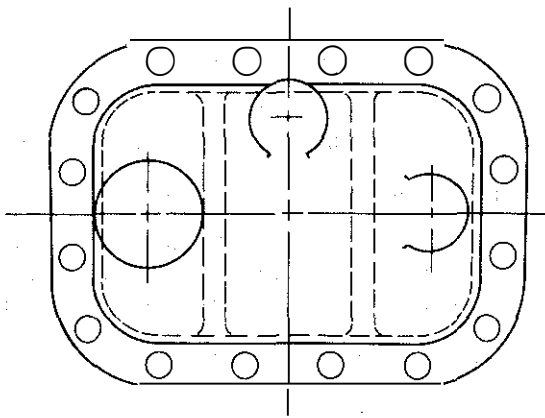


**HANDHOLE COVER USED ON AMMONIA COMPRESSORS**

Item	Description	Part No.
1	Cover, Handhole Complete	364-35719
2	Cover, Handhole Bare	064-00296
3	Plug, Pipe 3/4 NPTE Sq. Hd.	023-04053
4	Valve, Stop 3/8	022-00169
5	Nut, Flare 3/8	021-05676
6	Bonnet, Flare 3/8	023-01025

**HANDHOLE COVER USED ON HALOGEN COMPRESSORS**

Item	Description	Part No.
1	Cover, Handhole Complete	364-35720
2	Cover, Handhole Bare	064-00296
3	Plug, Pipe 3/4 NPTE Sq. Hd.	023-04053
4	Valve, Stop 3/8	022-01582
5	Nut, Flare 3/8	021-05676
6	Bonnet, Flare 3/8	023-01025



P/N 064-00295

- 1 used on 4, 6, & 8 Cyl. Compr.
- 2 used on 12 & 16 Cyl. Halogen Compr.
- 3 used on 12 & 16 Cyl. Ammonia Compr.

**HANDHOLE COVER WITH OIL COOLING COIL USED ON HALOGEN COMPRESSORS**

Item	Description	Part No.
1	H.H. Cover Complete w/Coil	364-35721
2	Cover, Handhole Bare	064-35653
3	Bush., Pipe 3/8 NPTE x 1/4 NPT1	023-05810
4	Ell., Flare 90° 1/4 O.D. x 1/4 NPTE	023-10128
5	Tube, Restrictor	364-36385
6	Plug, Pipe 3/8 NPTE, Sq. Hd.	023-01983

**FIG. 7— HANDHOLE COVERS**