

Item	Description	Part No.				
		4 Cylinder	6 Cylinder	8 Cylinder	12 Cylinder	16 Cylinder
72	Control, Temp. High Discharge Ammonia Compr. Halocarbon Compr. No. Req'd.	025-15381B004 025-15381B005 1	1	1	2	2
73	Valve, Body Capacity Control Manual Solenoid	064-28884 064-37179	064-28884 064-29220	064-28884 064-28969	064-28884 064-28969	064-28884 064-28969
74	Gasket, Cap. Control Valve (1 Per Control)	064-30163				
75	Screw Cap. Hex 3/8 x 1-1/2 Lg. (6 Per Control)	021-01497				
76	Valve, Solenoid (Less Coil) No. Req'd.	025-16162C001 1	025-16162C001 2	025-16162C001 3	025-16162C001 3	025-16162C001 3
77	Gasket, Solenoid (1 Per Valve)	064-28982				
78	Screw, Sol. (1/4 x 1-1/4 Lg.) (4 Per Valve)	021-01392				
79	Coil, Solenoid Capacity Control 120 Volt 208/230 Volt No. Req'd.	025-16572B005 025-16572B001 1	2	3	3	3
80	Control, Temp. Hi-Oil	025-15381B006				
* 80	Strainer, Oil	029-13678				

*Not Shown.

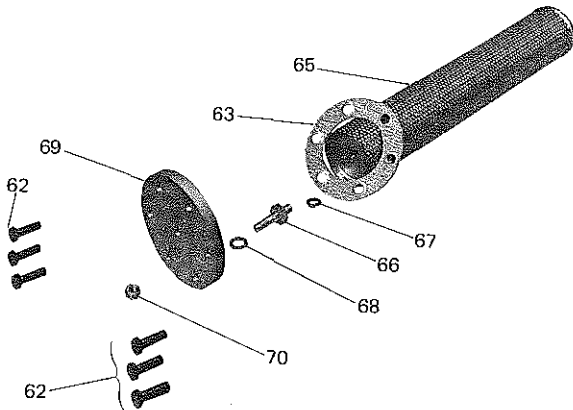


FIG. 2— STRAINER (12 & 16 CYLINDER MODELS)

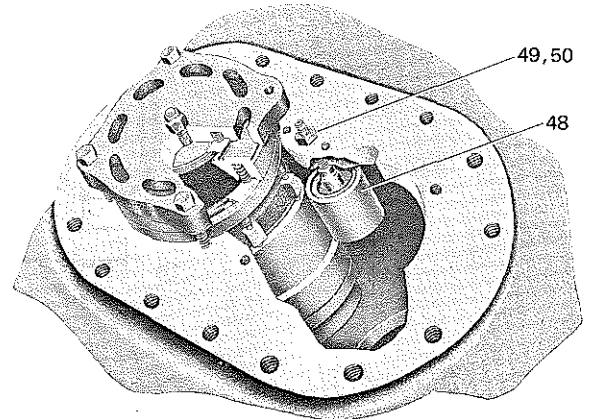


FIG. 3— UNLOADER DEVICE

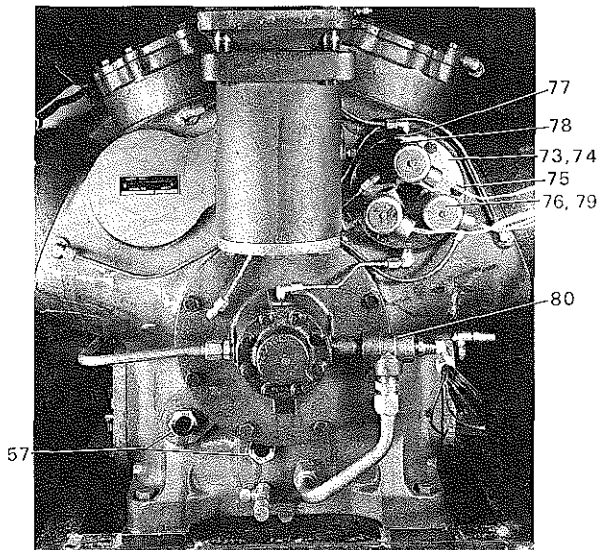


FIG. 4— CAPACITY CONTROL COMPONENTS — PUMP END

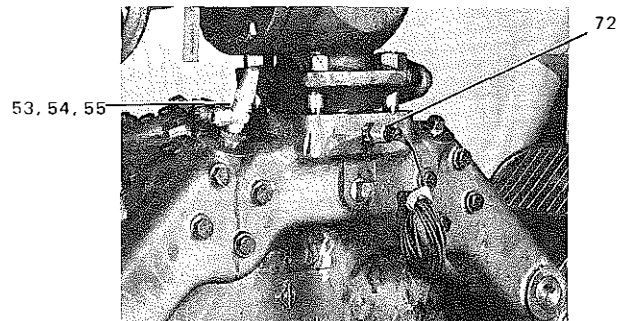


FIG. 5— HIGH TEMPERATURE DISCHARGE — SEAL END