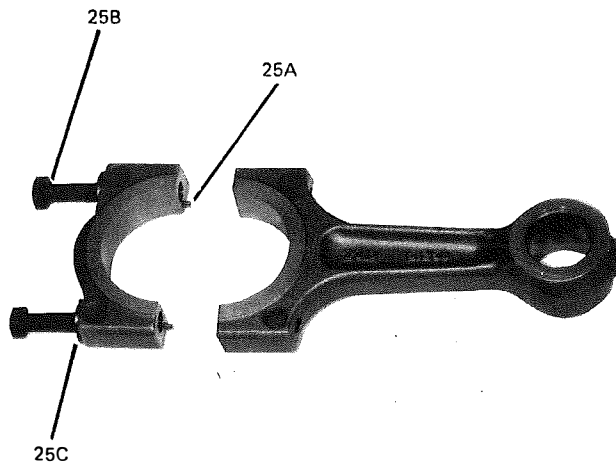


ITEM NO.	DESCRIPTION	PART NO.
24	Piston Assembly	
	Z4H-A; Z4K-B; Z6N-C; Z6S-D	665-25315
	Z4J-B; Z4M-C; Z6R-D; Z6W-E	665-25316
	Z6AE-E	665-25447
24A	Piston	
	Z4H-A; Z4K-B; Z6N-C; Z6S-D	065-25226
	Z4J-B; Z4M-C; Z6R-D; Z6W-E	065-25239
	Z6AE-E	065-25322
24B	Compression Ring	
	Z4H-A; Z4K-B; Z6N-C; Z6S-D	029-20220
	Z4J-B; Z4M-C; Z6R-D; Z6W-E	029-20226
	Z6AE-E	029-20901
24C	Expander Ring	
	Z4H-A; Z4K-B; Z6N-C; Z6S-D	029-20221
	Z4J-B; Z4M-C; Z6R-D; Z6W-E	029-20227
	Z6AE-E	Not Used
24D	Wiper Ring	
	Z4H-A; Z4K-B; Z6N-C; Z6S-D	029-20222
	Z4J-B; Z4M-C; Z6R-D; Z6W-E	029-20228
	Z6AE-E	028-20902
24E	Piston Pin	029-20218
24F	Retaining Ring (2 Req'd. / Piston)	029-20219

#24811A

**FIG. 5 - PISTON ASSEMBLY**



ITEM NO.	DESCRIPTION	PART NO.
25	Connecting Rod Assembly	
	Z4H, Z4J, Z6N, Z6R	365-25229
	Z4K, Z4M, Z6S, Z6W, Z6AE	365-25242
25A	Dowel Pin (2 Req'd. / Rod)	029-19802
25B	Screw (2 Req'd. / Rod)	021-09643
25C	Washer (2 Req'd. / Rod - 10 / Pkg.)	221-01262-800

#24811B

**FIG. 6 - CONNECTING ROD ASSEMBLY**