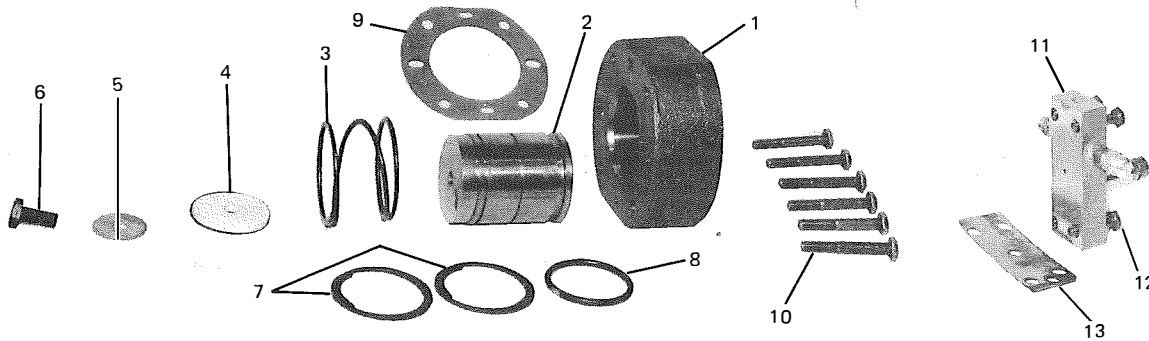


Item No.	Description	Part No.
	Discharge Valve Cage Ass'y. (Includes Items 1 - 7)	365-24678
1	Nut, Hex, Locking	021-09610
2	Cage, Discharge Valve	065-24600
3	Valve, Discharge	065-24832
4	Spring, Valve (6 Req'd.)	029-15292
5	Plate, Valve	065-03031
6	Screw	021-01068
7	Gasket	028-00574
	Suction Valve Plate Ass'y. (Includes Items 8 - 10)	365-24679
8	Plate, Suction Valve	065-24601
9	Spring, Suction Valve (6 Req'd.)	029-15292
10	Valve, Suction	065-24831
11	Sleeve, Cylinder	065-24933
12	O Ring	028-07198

FIG. 2 — COMPRESSOR VALVES & CYLINDER SLEEVE



Item No.	Description	Part No.
	Unloader Assembly (Includes Items 1 - 8)	365-24964
1	Cover, Unloader	065-24959
2	Piston, Unloader	065-24960
3	Spring	029-18109
4	Seat, Unloader	028-10189
5	Washer	021-16172
6	Cap Screw	021-01418
7	Ring, Retainer (2/Unloader)	029-18125
8	O Ring	028-10576
9	Gasket, Unloader Cover to Compressor	065-24961
10	Bolt, Unloader Cover to Compressor	021-08317
11	Unloader Solenoid	See Page 6
12	Screw, Unloader Solenoid to Unloader Cover (4/Unloader)	021-01392
13	Gasket, Unloader Solenoid to Unloader Cover	065-24962

FIG. 3 — UNLOADER ASSEMBLY