

OIL CHARGING / PRE-LUBING PUMP

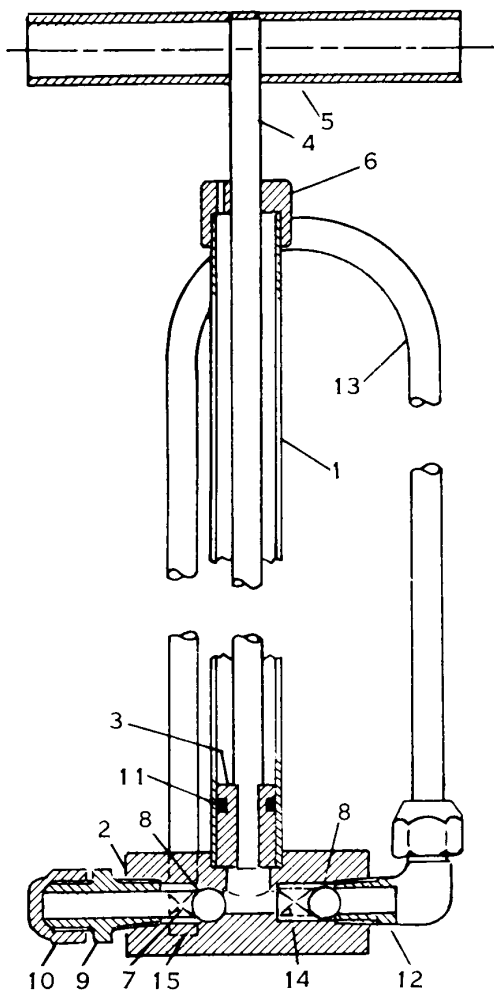


TABLE 9 – OIL CHARGING / PRE-LUBING PUMP

ITEM	DESCRIPTION	PART NO.
1	CYLINDER	070-10655
2	BLOCK VALVE	070-10512
3	PISTON	070-10656
4	ROD, PISTON	070-10659
5	HANDLE	070-10657*
6	CAP, CYLINDER	070-10658
7	SPRING, DISCHARGE	029-06856
8	CHECK, BALL	029-01849
9	CONNECTOR, HALF UNION	023-00916*
10	CAP, FLARE	028-00977
11	RING, "O"	028-03292
12	ELBOW, FLARE (Suction Seat)	1/2" SAE 023-00882*
13	SUCTION CONNECTION (Includes Flare Nut)	1/2" O.D. 370-12737
14	SPRING, SUCTION	029-04271
15	CAP (Suction Tube)	1/2" O.D. 028-05007

LD03297

* Available on special order.

FIG. 60 – OIL CHARGING PUMP