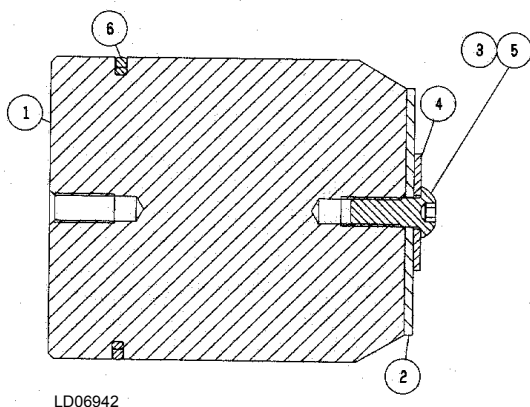


FIG. 47 - COMPRESSOR END VIEWS



ITEM NO.	DESCRIPTION	PART NUMBER
1	Piston	064-48189-000
2	Washer, Seal	028-12560-000
3	Screw, 5/16 Socket Button Cap	021-17396-000
4	Washer, Plain	021-17220-000
5 ¹	Sealer, Loctite	013-01671-000
6 ²	Ring, Compression	029-20999-000
^s 140 (Table 1)	Unloader, Blocked Suction, Assembly Includes Items 1 - 6	364-48190-000

NOTES:

- ^s = Recommended Stock Spare Part
- ¹ = Same as ITEM NO. 42 (TABLE 2)
- ² = Includes Compression Ring and O-Ring

FIG. 48 - UNLOADING DEVICE ASSEMBLY