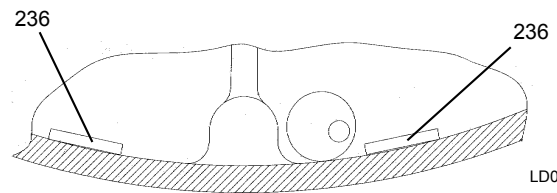


LD06935

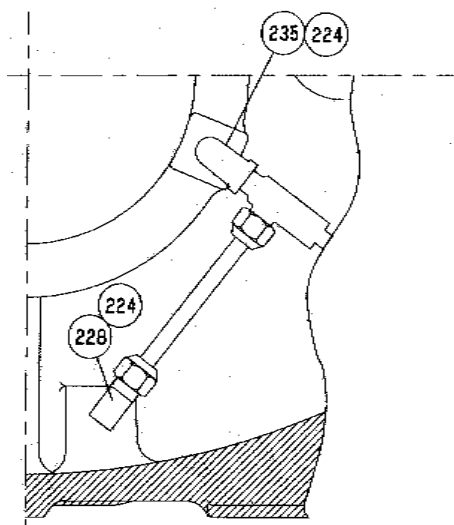


LD06936

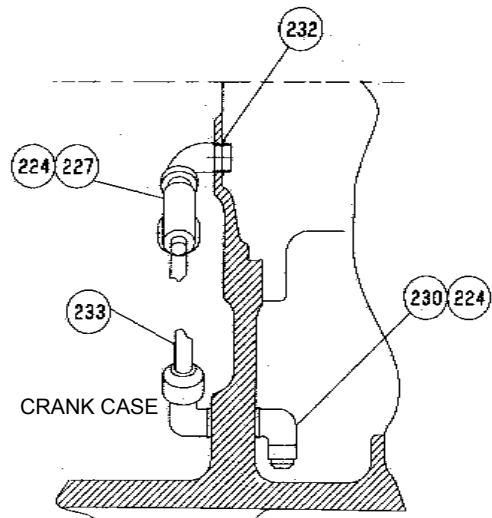
**NOTE A:**

1. Brass suction and discharge service valve pipe adapter/gasket by valve manufacturer Mueller. Also See NOTE 1 callout on Fig. 12A, regarding critical torque.

NOM. VALVE SIZE	ADAPTER	GASKET
2-1/8	A6267	A6261
2-5/8	A6268	A6261
3-1/8	A6269	A6262



VIEW A - A EDUCATOR



VIEW B - B

FIG. 46 – COMPRESSOR

LD06937