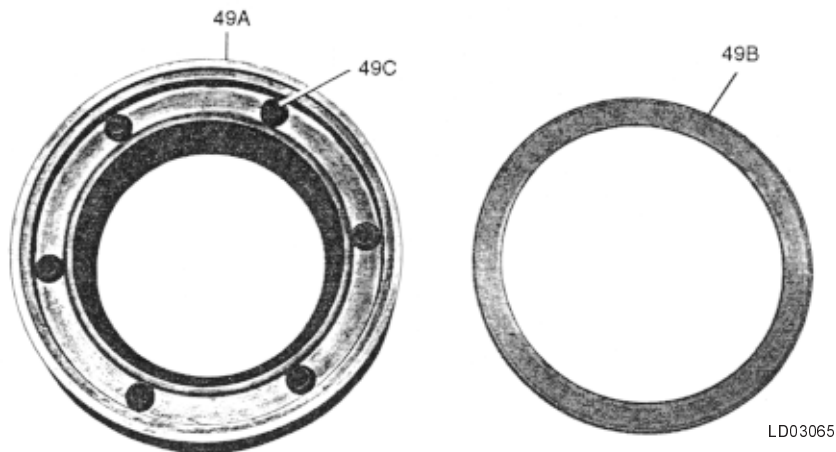


ITEM NO.	DESCRIPTION	PART NUMBER
^s 47	Cage, Discharge Valve Assembly Includes Items A,B,C,D,E, & F	664-48785-000
47A	Cage, Discharge Valve	064-48787-000
47B	Plate, Inner Valve	064-48032-000
47C	Ring, Discharge Valve	064-43012-000
47D	Screw, 3/8 Button Head Cap	021-17649-000
47E	Nut, 3/8 Hex Self Locking	021-09932-000
47F	Spring, Helical, Pack of 24 No. Springs Required Per Valve Assembly	229-21788-800 6

S = Recommended Stock Spare Part

FIG. 6 – DISCHARGE VALVE CAGE ASSEMBLY (See also Table 5 & 6, Page 15)



ITEM NO.	DESCRIPTION	PART NUMBER	
		R-22 (Coil)	R-134a (Wave) (Not Shown)
^s 49	Plate, Suction Valve Assembly Includes Items A, B, & C	364-49264-000	664-49291-000
49A	Plate, Valve	064-49261-000	664-49268-000
49B	Ring, Suction Valve	064-43011-000	022-09743-000
49C	Spring No. Springs Required Per Valve Assy	229-13813-800 6 (Helical) Pack of 24	222-09742-800 2 (Wave) Pack of 2

S = Recommended Stock Spare Part

FIG. 7 – SUCTION VALVE PLATE ASSEMBLY (See also Tables 5 & 6, Page 15)