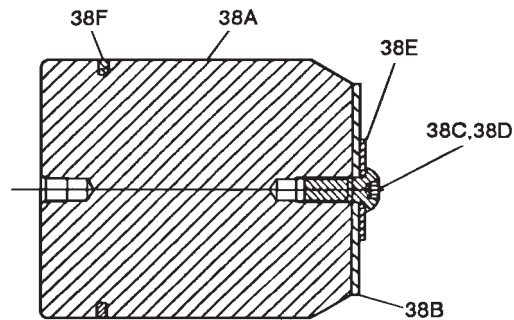


FIG. 3 - COMPRESSOR END VIEWS



ITEM NO.	DESCRIPTION	PART NUMBER
^s 38	UNLOADER, BLOCKED SUCTION	364-48190-000
38A	PISTON	064-48189-000
38B	WASHER, SEAL	028-12560-000
38C	SCREW, CAP HEX SOCKET	021-17396-000
38D	HEAD	013-01671-000
38E	SEALER, LOCTITE GRADE AVV	021-17220-000
38F	WASHER, PLAIN SPECIAL RING, COMPRESSION ¹	029-20999-000

NOTES:

1. ^s = Recommended Stock Spare Part
2. ¹ = Includes Compression Ring and O-Ring

FIG. 4 - UNLOADING DEVICE