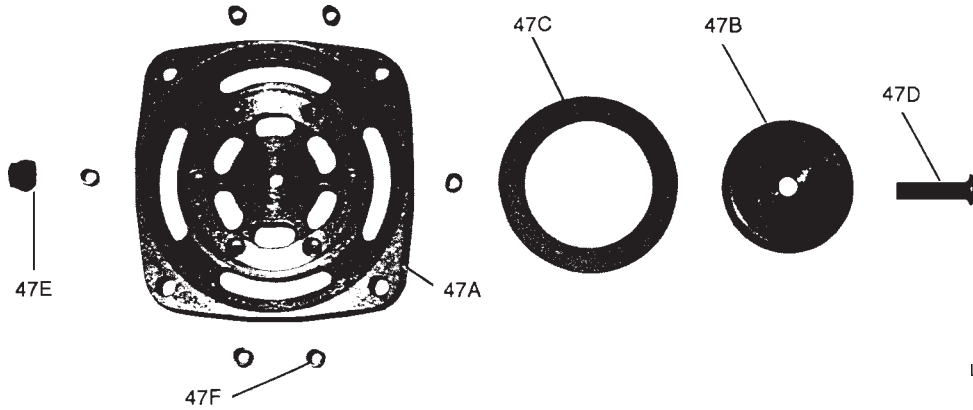


PRE 1996 DISCHARGE ASSY.

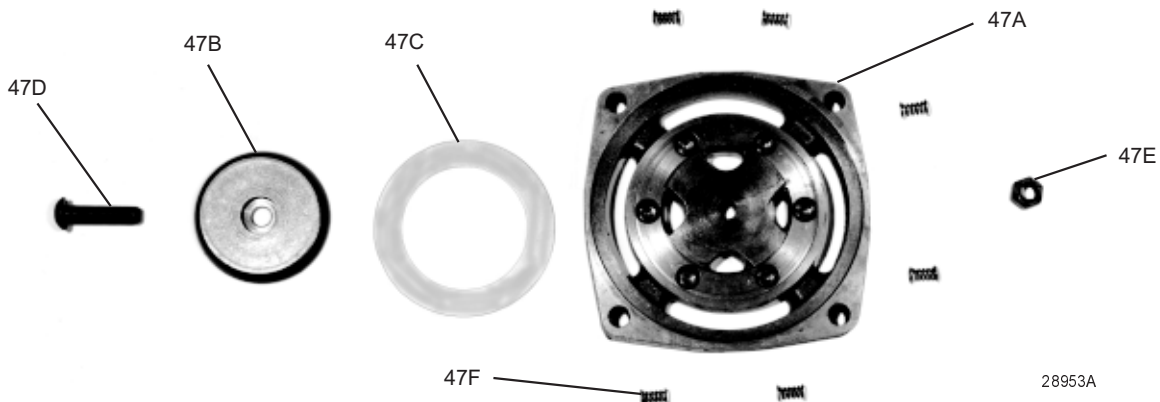


LD03722

ITEM NO.	DESCRIPTION	PART NUMBER
47	Cage, Discharge Valve Assembly Includes A, B, C, D, E, & F	664-48037-000
47A	Cage, Discharge Valve	064-43146-000
47B	Plate, Inner Valve	064-48032-000
47C	Valve, Discharge	064-43012-000
47D	Screw, 3/8 Button Head Cap	021-17649-000
47E	Nut, 3/8 Hex Self Locking	021-09932-000
47F	Spring, Helical No. Req'd. Per Valve Ass'y	021-13248-001 6

*Not Shown

CURRENT DISCHARGE ASSY.



28953A

ITEM NO.	DESCRIPTION	PART NUMBER
*47	Cage, Discharge Valve Assembly Includes A, B, C, D, E, & F	364-48785-000
47A	Cage, Discharge Valve	064-48787-000
47B	Plate, Inner Valve	064-48032-000
47C	Ring, Discharge Valve	064-43012-000
47D	Screw, 3/8 Button Head Cap	021-17649-000
47E	Nut, 3/8 Hex Self Locking	021-09932-000
47F	Spring, Helical No. Req'd. Per Valve Ass'y	021-21788-000 6

* = Recommended Stock Spare Part

FIG. 5 – DISCHARGE VALVE CAGE ASSEMBLY