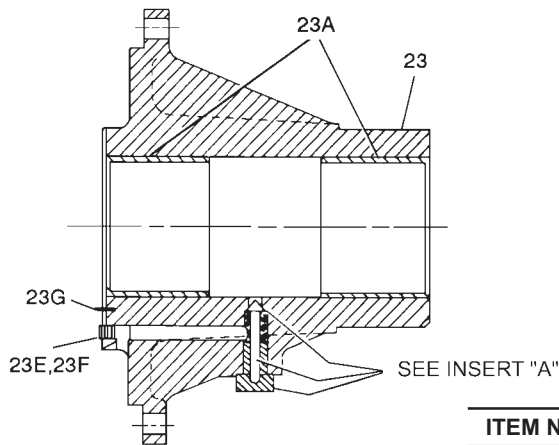
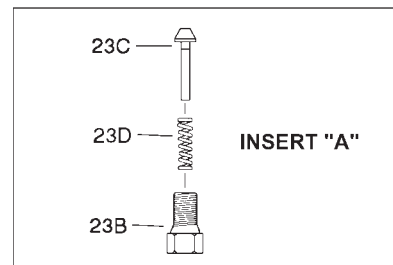


**PUMP END**

ITEM NO.	DESCRIPTION	PART NUMBER
<b>BEARING HEAD – OIL PUMP END</b>		
<b>20</b>	Head, Bearing Assembly (Oil Pump End) Includes A, B, C, D, E, & F	664-48188-000
20A	Bearing, Crankshaft	029-11097-000
20B	Pipe Plug, 3/8 Hex Socket	023-04298-000
20C	Pipe Plug, 1/8 Hex Socket	023-01970-000
20D	Sealer, Loctite Grade AVV (Use with Items 20B and 20C)	013-01671-000
20E	Pipe Plug, 1/4 Square Head	023-01972-000
20F	Sealer, Removable Thread (Use with Item 20E)	013-01678-000
—	Head, Bearing (Oil Pump End) (Does Not Include Items A, B, C, D, E & F)	064-48173-000



**MOTOR END**



LD03724

ITEM NO.	DESCRIPTION	PART NUMBER
<b>BEARING HEAD – MOTOR END</b>		
<b>23</b>	Head, Bearing Assembly (Motor End) Includes A, B, C, D, E, F & G)	664-47221-000
23A	Bearing, Crankshaft (2 Required)	029-11097-000
23B	Cap, Seal, Oil Relief Valve (See Insert A)	065-06394-000
23C	Plunger, Oil Relief Valve (See Insert A)	065-01331-000
23D	Spring, Helical (See Insert A)	029-06143-000
23E	Plug, Pipe Flush Type Hex Socket	023-05366-000
23F	Sealer, Loctite Grade AVV (Use with Item 23E)	013-01671-000
23G	Pin, Slot 1/8 Spring	029-05395-000
—	Head, Bearing (Motor End) (Does Not Include Items A, B, C, D, E, F & G)	064-47220-000

**FIG. 9 – BEARING HEADS**