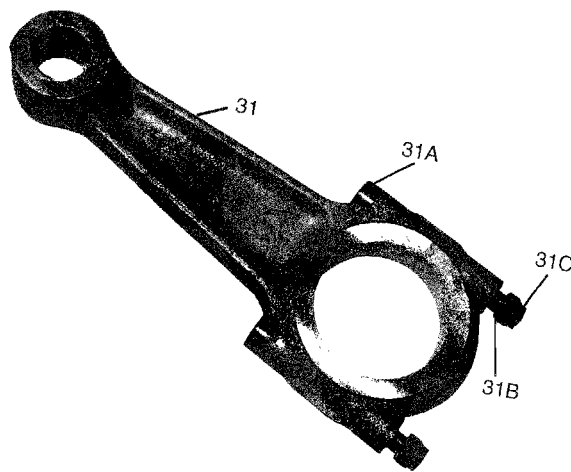


#23369-1

| ITEM NO. | DESCRIPTION | PART NO. |
|----------|--------------------------------|-----------|
| ③ 30 | Piston Assembly Includes: | 364-46757 |
| 30A | Piston, Bare | 064-46538 |
| 30B | Ring, Piston (2 Req'd./Piston) | 029-15175 |
| 30C | Pin, Piston | 029-13090 |
| 30D | Retainer (2 Req'd.) | 029-13091 |

FIG. 2 — PISTON ASSEMBLY

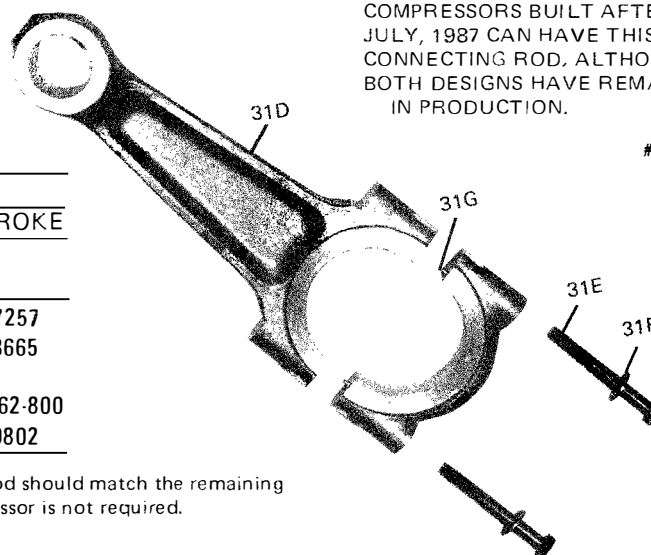


#10354

| ITEM NO. | DESCRIPTION | PART NO. | |
|---------------------------------------------|------------------------|---------------|---------------|
| | | "3" STROKE | "4" STROKE |
| CONNECTING ROD WITH THRU BOLTS & LOCK NUTS* | | | |
| ③ 31 | Rod, Connecting Ass'y. | 664-21611 | 664-46679 |
| 31A | Bolt (2 Req'd.) | 021-14392 | 021-14392 |
| 31B | Washer (10/Pk'g.) | 221-01274-800 | 221-01274-800 |
| 31C | Nut (5/Pk'g.) | 221-09932-800 | 221-09932-800 |

† **SPECIAL NOTICE:**
 COMPRESSORS BUILT AFTER JULY, 1987 CAN HAVE THIS CONNECTING ROD, ALTHOUGH BOTH DESIGNS HAVE REMAINED IN PRODUCTION.

#23369-2



| ITEM NO. | DESCRIPTION | PART NO. | |
|------------------------------------------------|------------------------------|---------------|---------------|
| | | "3" STROKE | "4" STROKE |
| CONNECTING ROD WITH STD. SCREWS & DOWEL PINS*† | | | |
| ③ 31D | Rod, Connecting Ass'y. | 364-47256 | 364-47257 |
| 31E | Screw Cap Hex (2 Req'd./Rod) | 021-13665 | 021-13665 |
| 31F | Washer (10/Pk'g.) | 221-01262-800 | 221-01262-800 |
| 31G | Pin Dowel (2 Req'd.) | 029-19802 | 029-19802 |

*Complete connecting rods are interchangeable. Replacement rod should match the remaining rods in any one compressor, but matching styles in one compressor is not required.

FIG. 3 — CONNECTING ROD