

TABLE 3

ITEM NO.	DESCRIPTION	PART NO.	
		"3" STROKE	"4" STROKE
	Rod, Connecting (Assembly)	364-21611	364-46679
1	Bolt (2 Req'd.)	064-22949	064-22949
2	Washer (2 Req'd.)	021-01274	021-01274
3	Nut (2 Req'd.)	021-09932	021-09932

FIG. 3— CONNECTING ROD

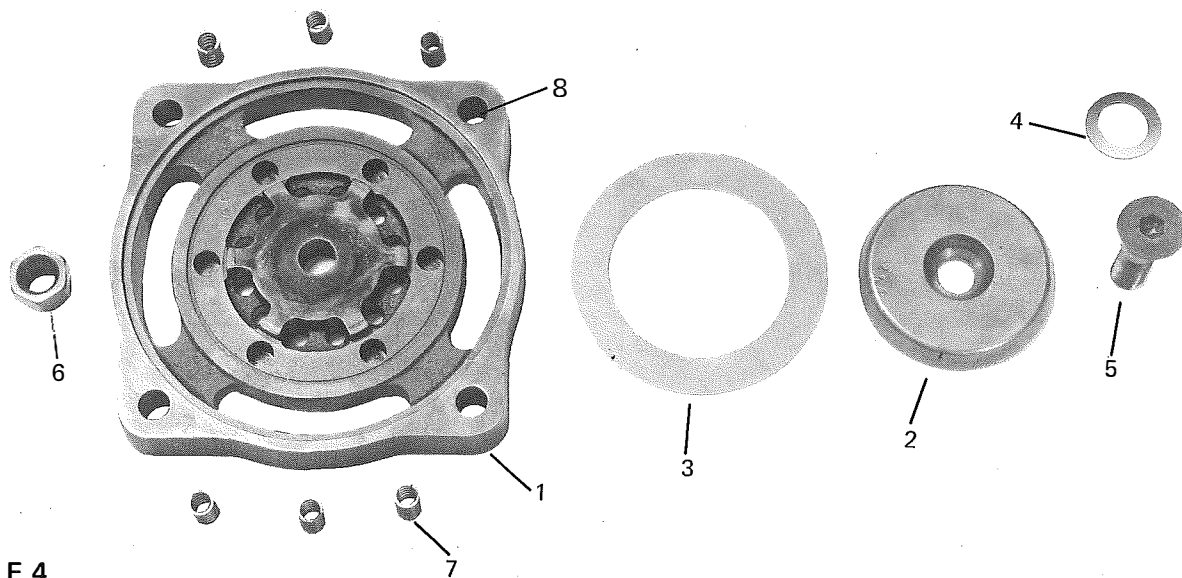


TABLE 4

ITEM NO.	DESCRIPTION	PART NO.
	Cage, Discharge Valve Assy. Includes items 1—7.	364-42306
1	Cage, Disch. Valve	*
2	Plate, Inner Valve	064-46281
3	Valve, Discharge	064-43012
4	Gasket	028-08386
5	Screw	021-13856
6	Nut, Self-Locking	021-09932
7	Spring (6 Req'd Per Valve Ass'y)	029-13248
8**	Bolt 3/8'x2-1/2" (4 per Valve)	021-10037

*Discharge Valve Cage, Item 1, not available separately. Order assembly #364-42306.

**When installing new valve cage assembly always order 4 of item 8 for each valve cage.

FIG. 4 — DISCHARGE VALVE CAGE ASSEMBLY