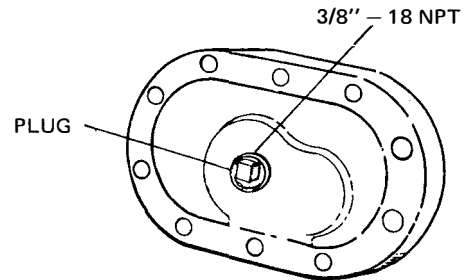


STYLE A (With Sight Glass)

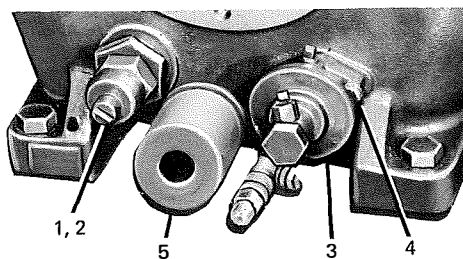


STYLE B (With 3/8" Pipe Tap)

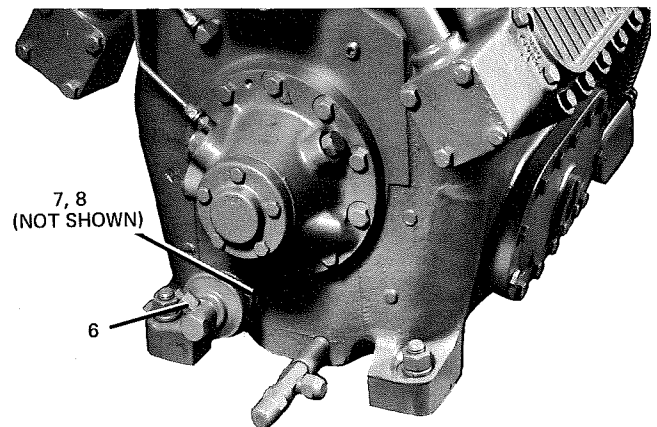
No. of Cylinders	Style A	Style B	
		Cover	Plug
3	365-02996	065-03077	023-04298
6	365-02996	065-03077	023-04298
9	365-03050	065-03078	023-04298

NOTE: For cover used with crankcase float, see Fig. 10.

FIG. 6 — HAND HOLE COVERS



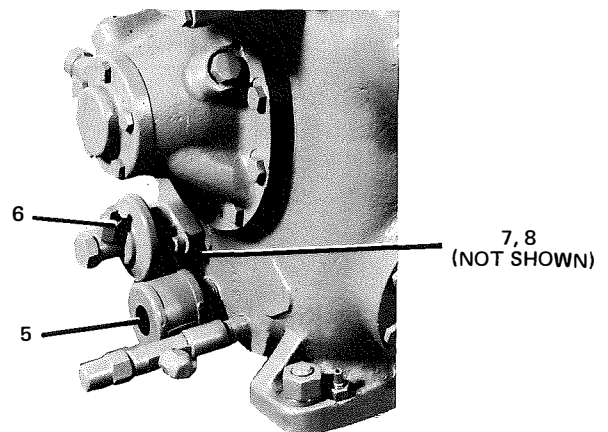
PREVIOUS DESIGN



PRESENT DESIGN — HERMETIC

Stroke		2-1/4"	1-7/8"
Item No.	Description	Part No.	Part No.
1	Valve, Capacity Control* (Pressure Actuated)	365-22150	365-22150
2	Oil Pick-Up Line	065-16428	065-16428
3	Valve, Capacity Control, Regulating	025-11046	025-11046
4	Screw, Hex Socket Hd, 5/16" x 1"	021-01435	021-01435
5	Heater, 150 Watt, 120 Volt	025-09423	---
	Heater, 225 Watt, 120 Volt	025-12272	---
6	Valve, Capacity Control (Pressure Actuated)	---	025-18970
	Valve, Capacity Control (Temperature Actuated) 33°F - 55°F	025-09980	025-09980
6	Valve, Capacity Control (Temperature Actuated) 0°F - 32°F	025-09981	025-09981
		025-14283	025-14283
7	Control, Capacity Internal	365-18736	365-18736
8	Ring, Retainer	029-08659	029-08659

*Also requires items 2 & 6



PRESENT DESIGN — OPEN

FIG. 7 — CAPACITY CONTROL PARTS (SEE DESIGN HISTORY)