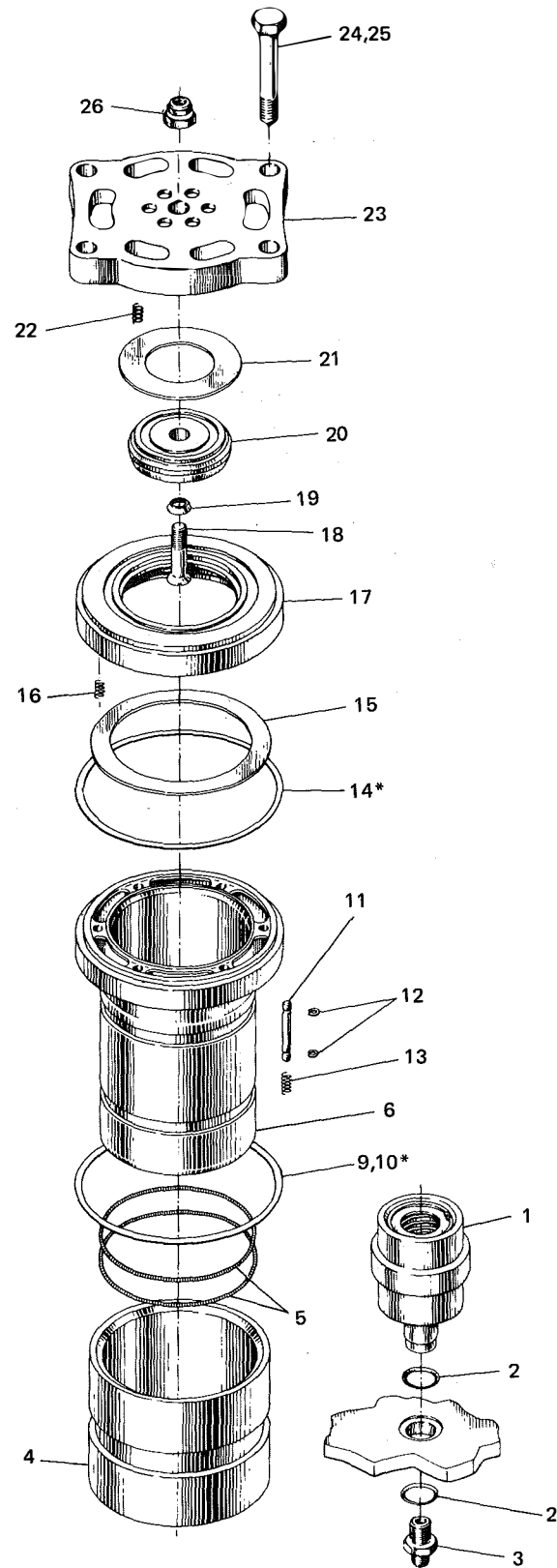


Stroke		2-1/4"	1-7/8"
Item No.	Description	Part No.	Part No.
1	Power Unit Unloader	365-02995	365-02995
2	Gasket, Power Unit	070-04801	070-04801
3	Union, Power Unit	023-05839	023-05839
4	Sleeve, Unloader	065-00831	065-15457
5	Spring, Garter	029-04379	029-04379
6	Sleeve, Cylinder, Bare	065-02443	065-15458
7	Cylinder with Valves (Assembly) Consisting of following items: 6, 15, 16, 17, 18, 19, 20, 21, 22, 23 & 26. Note: This Assembly for Non-Unloading Type Cylinders.	365-02987	365-15469
8	Cylinder with Valves and Lift Pins (Assembly) Consisting of following items: 5, 11, 12, 13 & complete item 7. Note: This Assembly for Unloading Type Cylinder.	365-02988	365-15468
9	Gasket, Cylinder Sleeve .005" Thick	070-07377 *	070-07377 *
10	Gasket, Cylinder Sleeve .010" Thick	070-07378 *	070-07378 *
11	Pin, Lift (6 Req'd. per Cyl.)	029-04860	029-04860
12	Ring, Retaining (12 Req'd. per Cyl.)	029-04504	029-04504
13	Spring, Lift Pins (6 Req'd. per Cyl.)	029-04499	029-04499
14	Gasket, Suction Valve (Spacer - .010")	070-07378 *	070-07378 *
15	Valve, Suction	065-24831	065-24831
16	Spring, Suction	029-15292	029-15292
17	Plate, Discharge Valve	065-24601	065-24601
18	Screw, Discharge Valve	021-01068	021-01068
19	Gasket, Beveled	028-00574	028-00574
20	Plate, Inner Discharge Valve	065-03031	065-03031
21	Valve, Discharge	065-24832	065-24832
22	Spring, Discharge Valve (6 Req'd. per Cyl.)	029-15292	029-15292
23	Cage, Discharge Valve	065-24600	065-24600
24	Screw, Cap, 3/8" x 2" (4 Req'd. per Cyl.)	021-01510	---
25	Screw, Cap, 3/8" x 1-3/4" (4 Req'd. per Cyl.)	---	021 01505
26	Nut, Self Locking	021-09610	021-09610



*See DESIGN HISTORY, page 11.

FIG. 5 — EXPLODED VIEW — CYLINDER SLEEVE AND VALVE ASSEMBLY