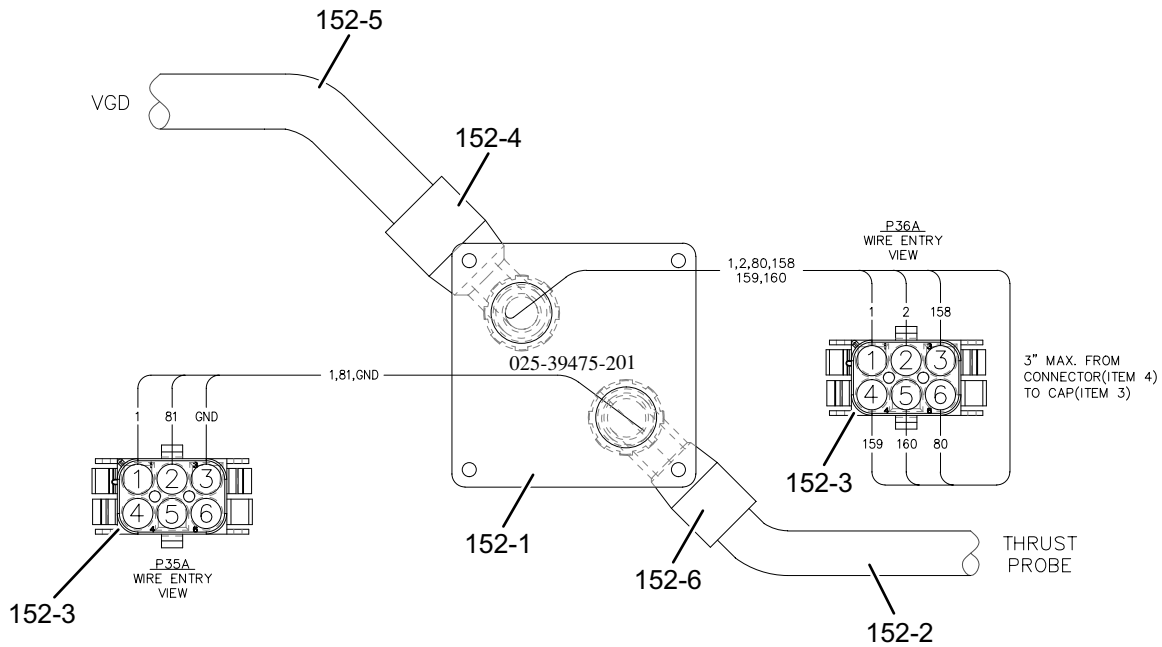


LD19833



LD19834

FIGURE 23 - SYSTEM WIRING LOW VOLTAGE SOLID STATE STARTER