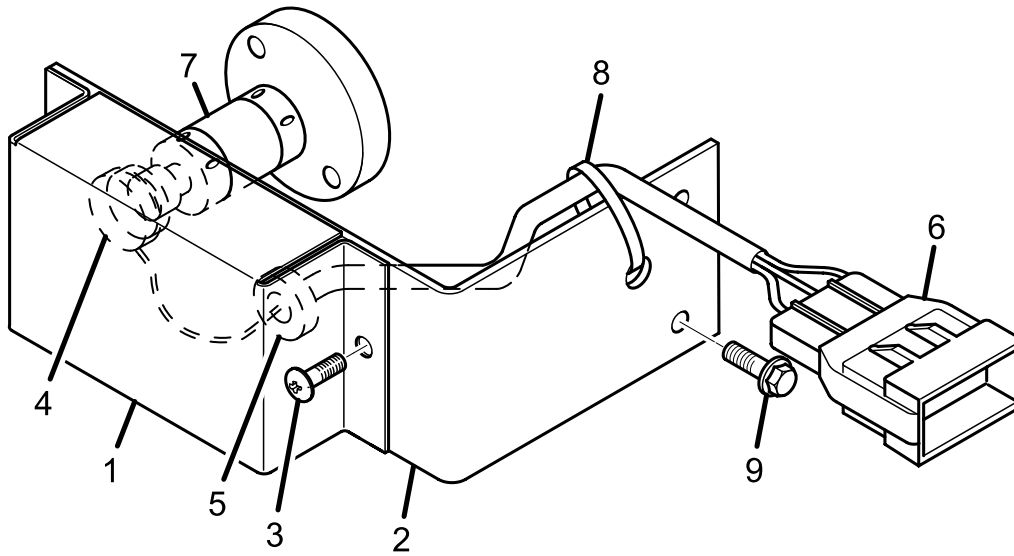


PRV POSITION SENSOR KIT

TABLE 9 - PRV POSITION SENSOR KIT

ITEM	DESCRIPTION	PART NUMBER	SAP	QUANTITY/ UNIT	FIGURE
1	Cover PRV Position Sensor VSD	071-02012-002	748129	1	10
2	Bracket Support Upper PRV	371-02012-209	771577	1	10
3	Screw Tapping Thread Forming	021-13757-000	729753	2	10
4	Pot 2500 Ohms 2 Watt	025-32570-000	738740	1	10
5	Bushing Strain Relief Straight	025-09080-000	737236	1	10
6	Cable PRV Sensor VSD	571-02012-005	124152	1	10
7	Cplg, Shaft, Flexible	029-24196-000	119910	1	10
8	Cable Tie L=101.600Mm White	025-23765-001	588760	1	10
9	Screw/Washer Assy (Sems)	021-18487-000	730203	2	10



LD19600

FIGURE 10 - PRV POSITION SENSOR KIT (371-05520-001)