

HOT GAS BYPASS COMPONENTS

TABLE 8 - 2" HOT GAS BYPASS

ITEM	DESCRIPTION	PART NUMBER	SAP	QUANTITY/ UNIT	FIGURE
1	Valve Butterfly Size 2	022-10643-002	617136	1	9
5	Valve Stop Compr 2-5/8 Od	022-10048-000	617116	1	
7	Hcs5 0.625-11 X 4.500 Gr 5 Zn	021-32010-036	616908	8	9
	Hcs5 0.625-11 X 4.500 Gr 5 Zn w/o Isolation Valve			4	
8	Hcs5 0.625-11 X 2.500 Gr 5 Zn	021-32010-020	616904	4	9
9	Nut Hex 0.625-11 X Gr 5 Zn	021-32010-501	616911	4	9
10	Gasket Flange	028-14463-000	618665	1	9
11	Gasket 2 Inch Valve	064-47078-000	540307	1	9

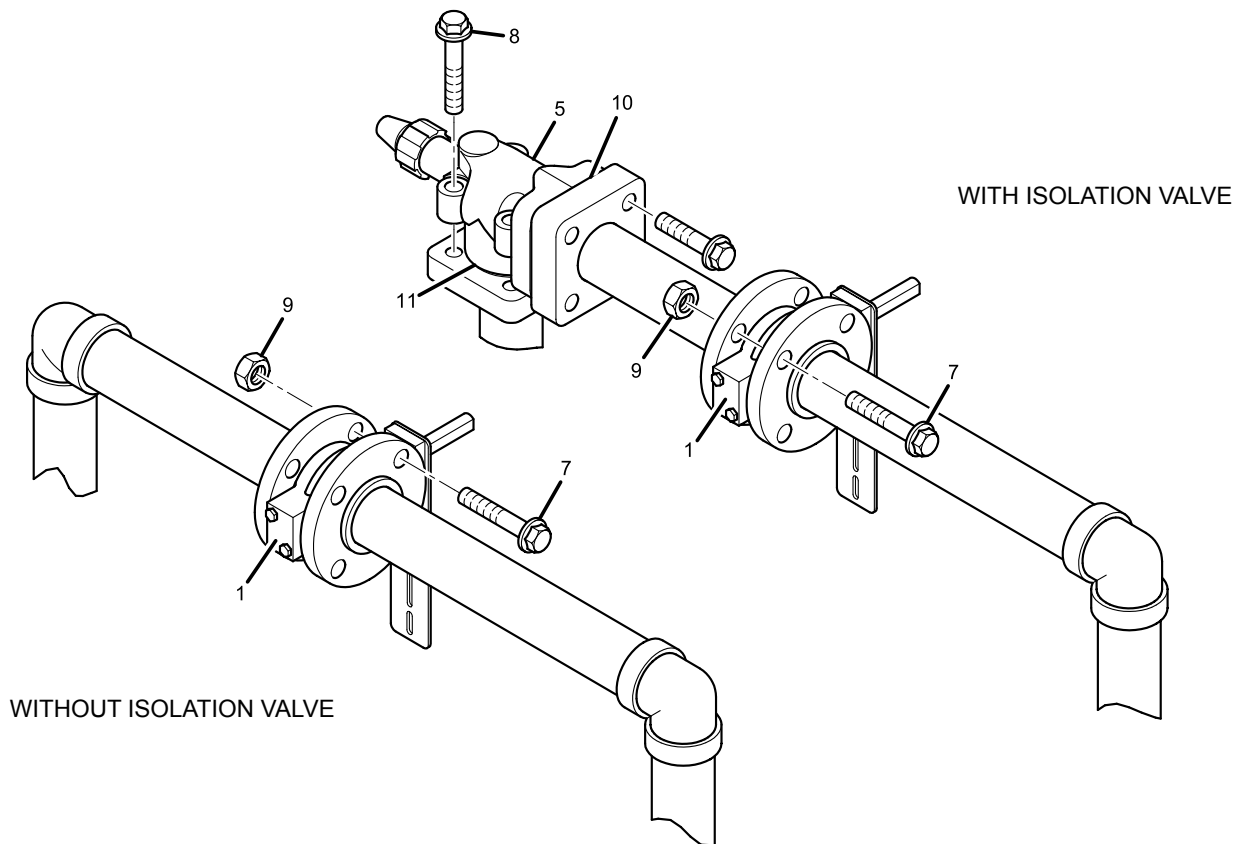


FIGURE 9 - HOT GAS BYPASS (2")

LD13050