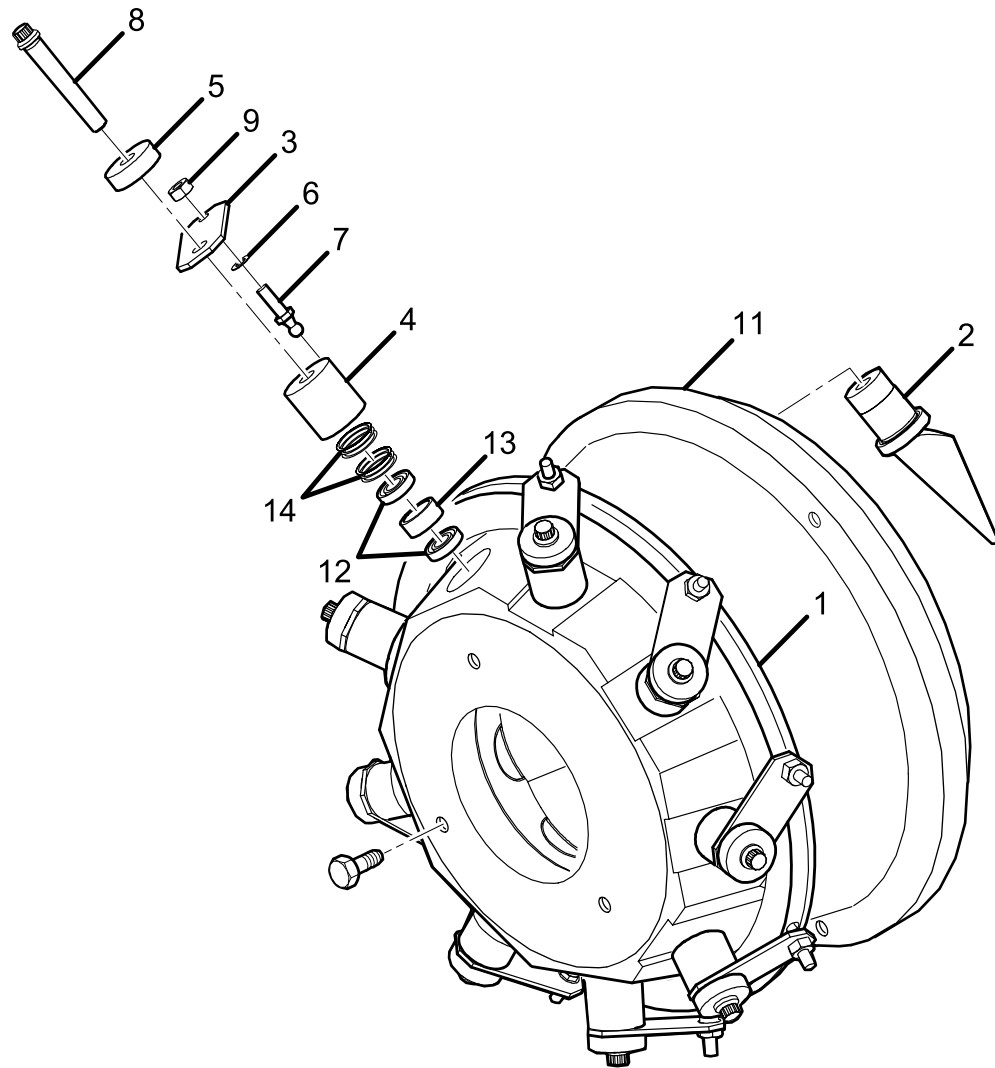


## K7 COMPRESSOR

**TABLE 24 - PRE-ROTATION DEVICE (K7)**

ITEM	DESCRIPTION	PART NUMBER	QUANTITY
1	Ring, Vane Driving	064 51514 000	1
2	Vane, Pre-Rotation (prior 2/2012)	064 51503 000	9
	Vane, Pre-Rotation (after 2/2012)	029 26283 000	9
3	Arm, PRV Vane	064 51513 000	9
4	Spacer, PRV Arm	064 51512 000	9
5	Washer, Special Pre-Rot	064 47318 000	9
6	Washer, Plain Lt 17/64 Id 1/2	021 11973 000	18
7	Stud, Ball 1/4 - 28 Unf	029 15924 000	9
8	Screw, Cap 12 Pt Head 5/8	021 17265 000	9
9	Nut, Self Lock 1/4 - 28 Unf	021 12943 000	9
11	Housing, Pre-Rot Vanes	064 51502 000	1
12	Bearing, Ball Deep Groove	029 25081 000	18
13	Spacer	064 51783 000	9
14	Spring, Overlap Type Wave	029 25082 000	18



**FIGURE 39 - PRE-ROTATION DEVICE (K7)**

LD12108