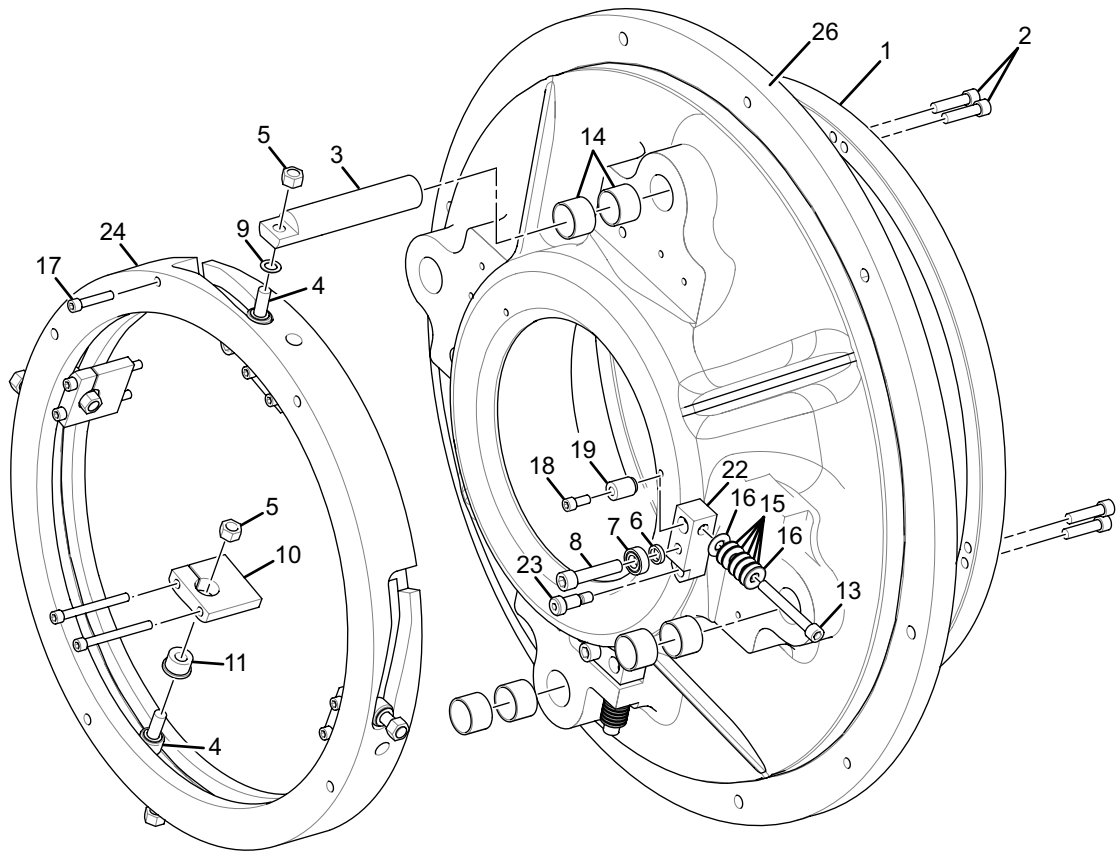
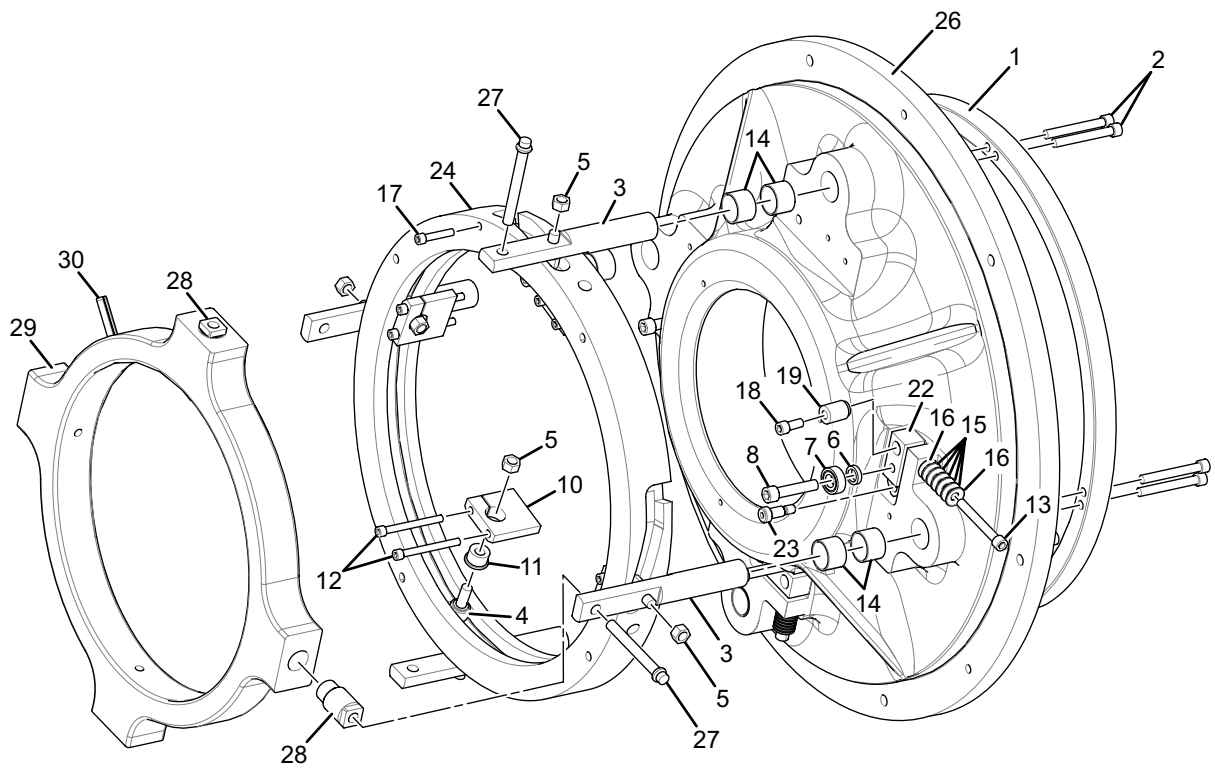


K3 COMPRESSOR



364 51776 000



364 53218 000

LD16674b

FIGURE 24 - VARIABLE GEOMETRY DIFFUSER (K3)