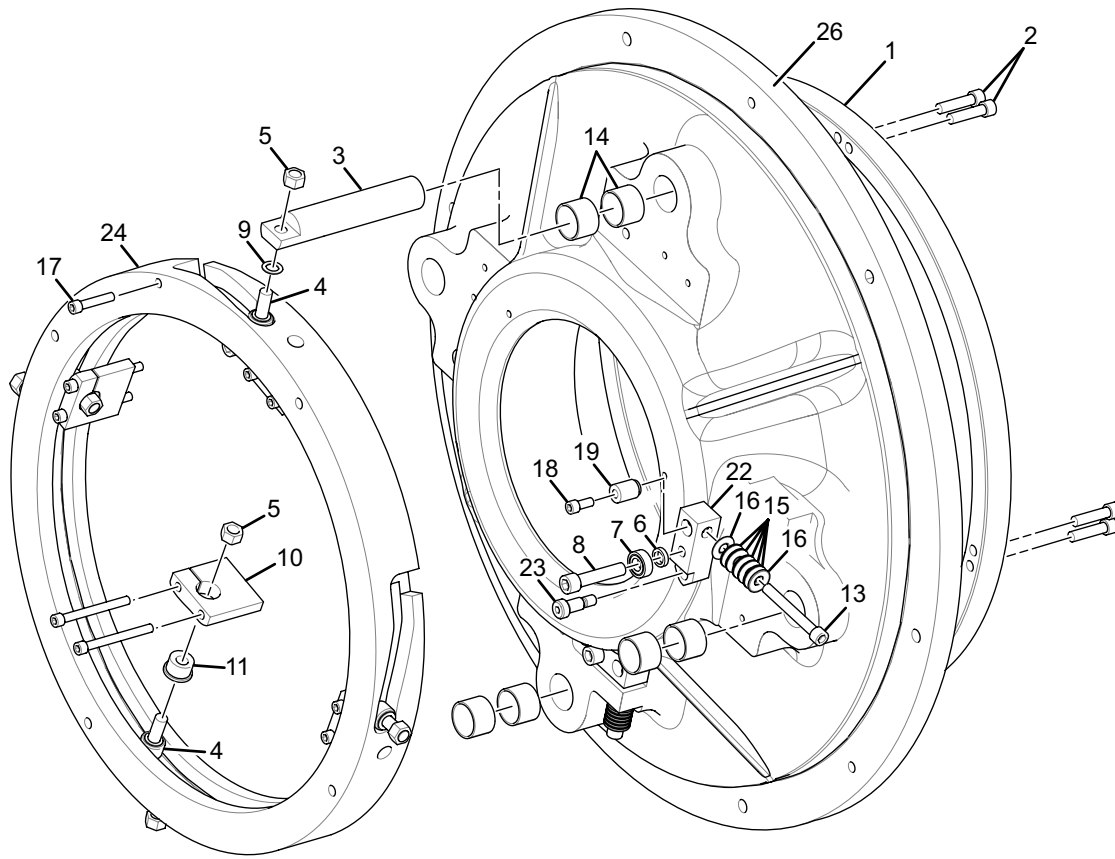
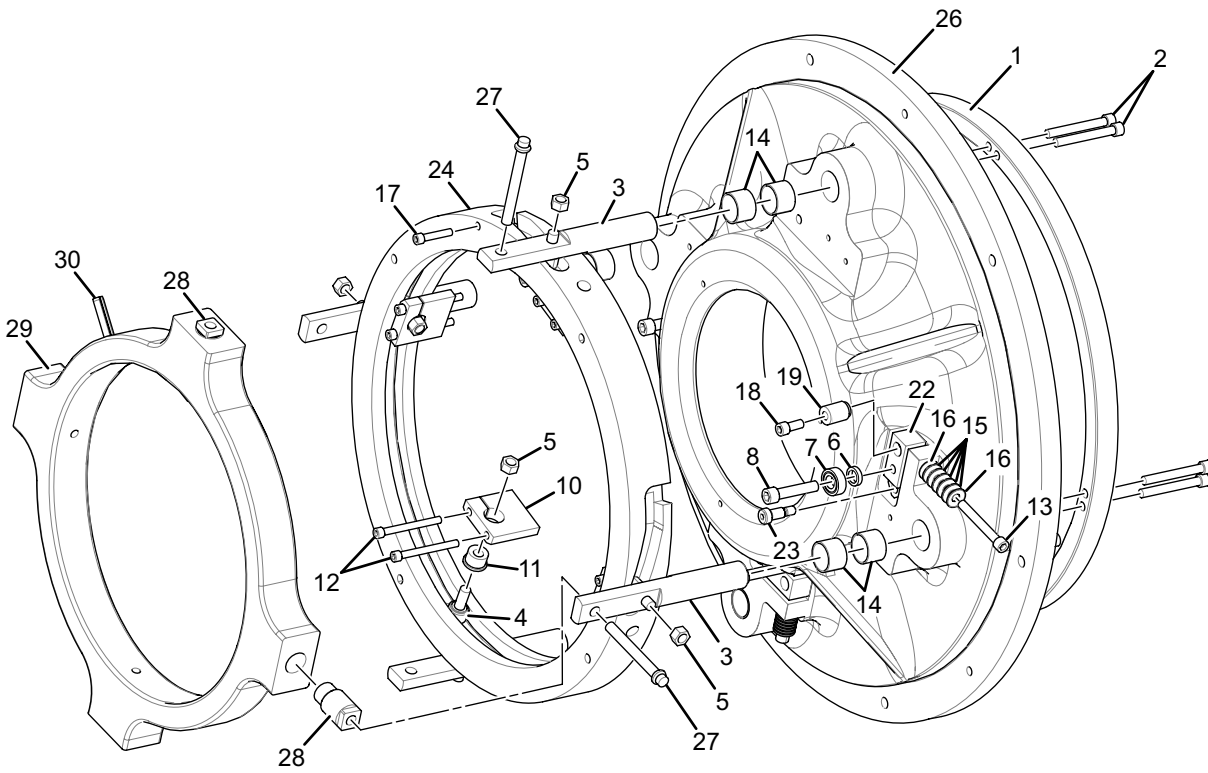


# K2 COMPRESSOR



364 51715 000



364 53361 000

LD16674a

**FIGURE 16 - VARIABLE GEOMETRY DIFFUSER (K2)**