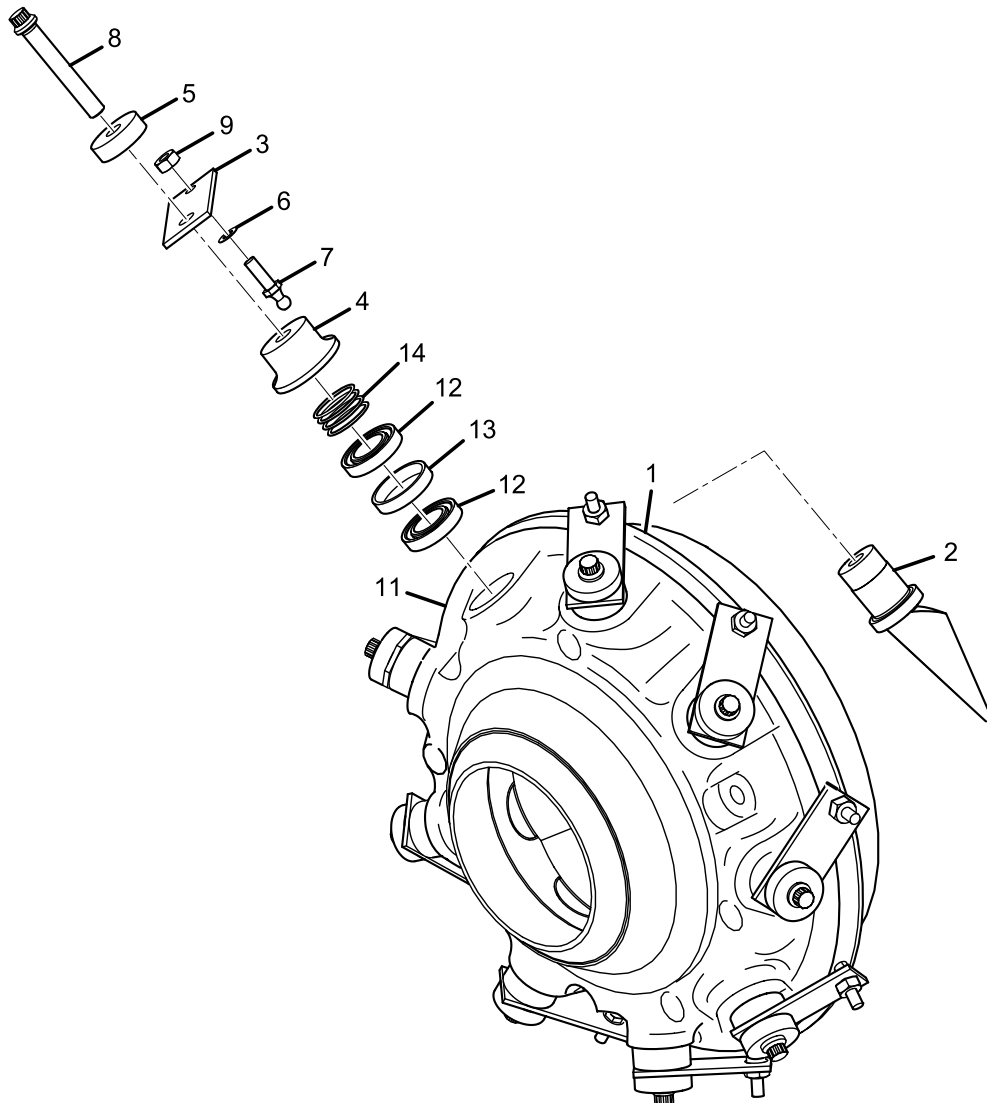


## K2 COMPRESSOR

**TABLE 9 - PRE-ROTATION DEVICE (K2)**

ITEM	DESCRIPTION	PART #	QUANTITY	FIGURE
-	Device, PRV K2	364 51669 000	1	15
1	Ring, Vane Driving K1-2	064 51667 000	1	15
2	Vane, Pre-Rotation K1-2 (prior 2/2012)	064 51641 000	9	15
	Vane, Pre-Rotation K1-2 (after 2/2012)	029 26311 000	9	15
3	Arm, PRV	064 47508 000	9	15
4	Spacer, PRV Arm K1-2	064 51668 000	9	15
5	Washer, Special PRV	064 47516 000	9	15
6	Washer, Plain 17/64 ID 1/2	021 11973 000	18	15
7	Stud, Ball 1/4-28 Unf	029 15924 000	9	15
8	Screw, Cap 12pt Hd 1/2	021 11515 000	9	15
9	Nut, Selflock 1/4-28 Unf	021 12943 000	9	15
11	Housing, PRV K2	064 51742 000	1	15
12	Bearing, Ball Deep Groove	029 25106 000	18	15
13	Spacer	064 51815 000	9	15
14	Spring, Crest-to-Crest Type	029 25107 000	9	15



LD12810

**FIGURE 15 - PRE-ROTATION DEVICE (K2)**