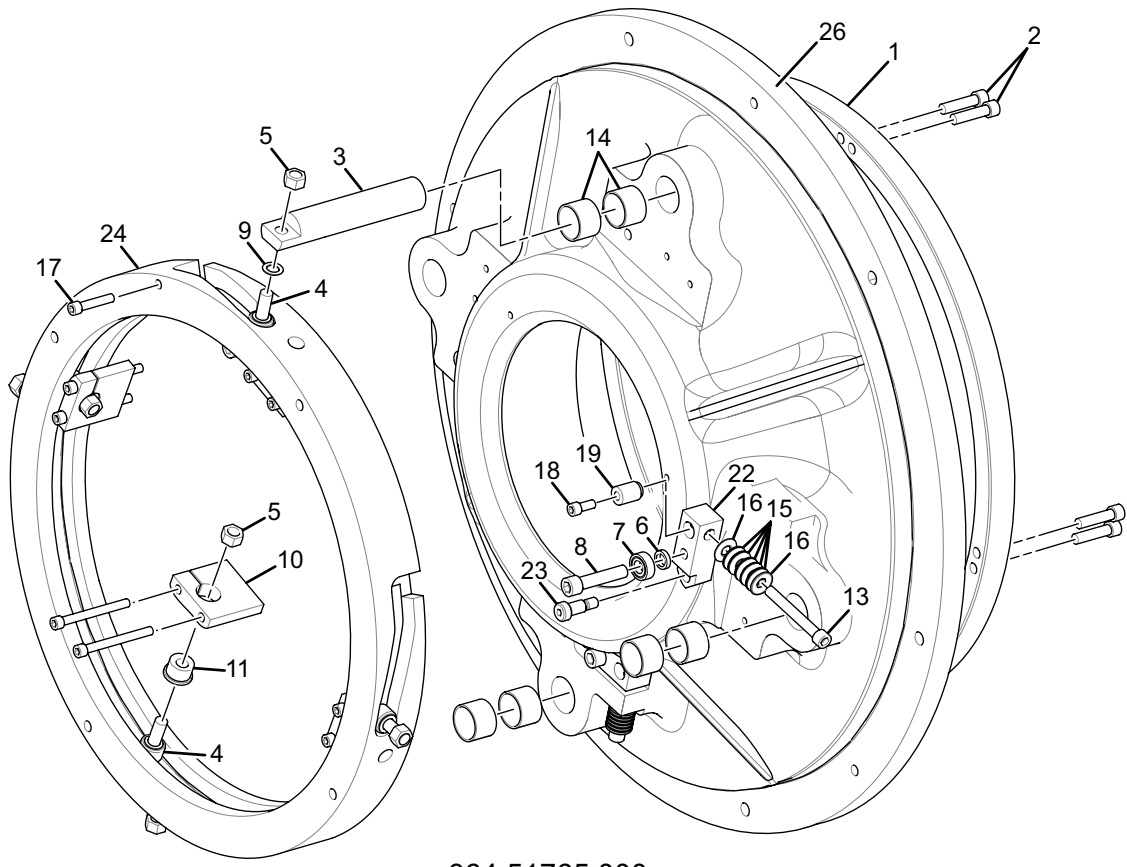
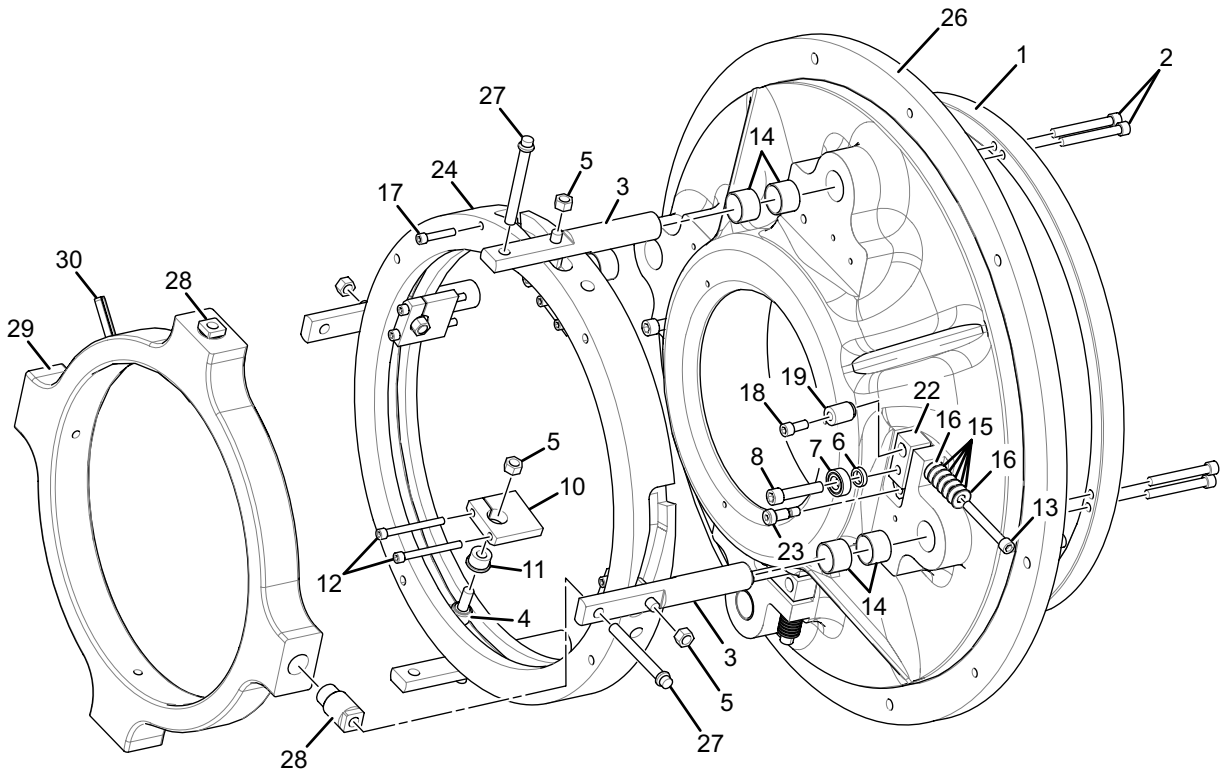


K1 COMPRESSOR

K1



364 51765 000



364 53356 000

LD16674

FIGURE 8 - VARIABLE GEOMETRY DIFFUSER (K1)