

## WATERBOX GASKETS (CONT'D)

**TABLE 49 - CONDENSER WITH HEAT RECOVERY COMPACT WATERBOXES 150 PSI**

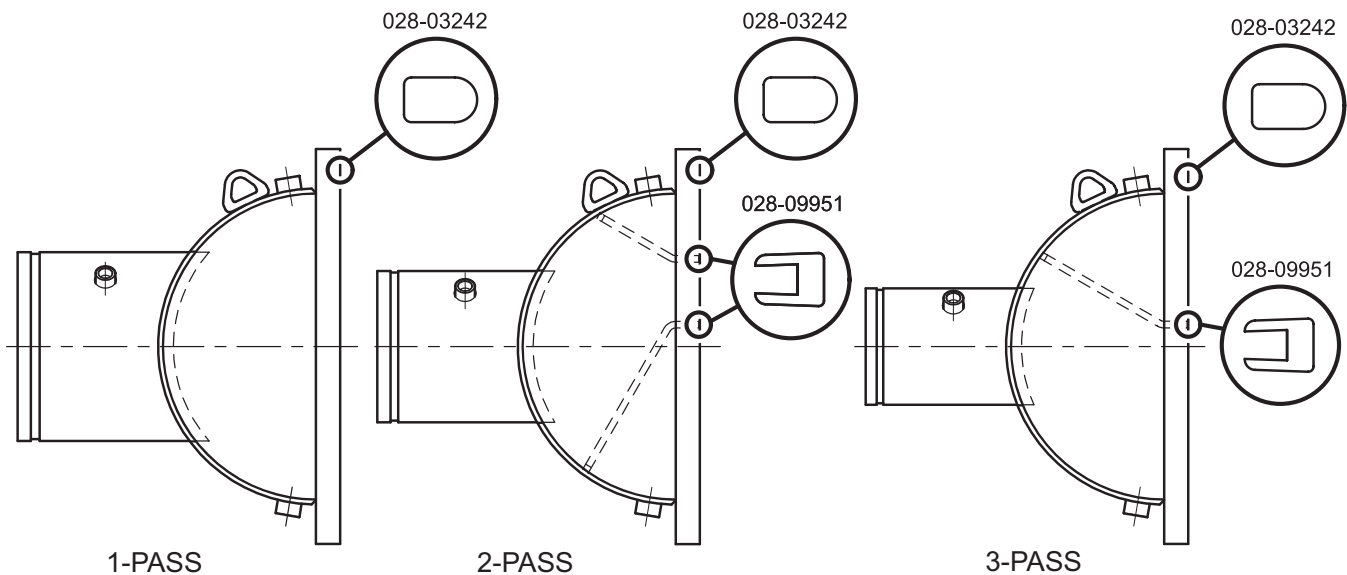
SHELL CODE	1 PASS		2 PASS		3 PASS	
	GASKET P/N	FEET REQUIRED	GASKET P/N	FEET REQUIRED	GASKET P/N	FEET REQUIRED
<b>BW, BX*</b>	028-03242-000	18.5'	028-09951-000	3.5'	028-09951-000	6'
			028-03242-000	18.5'	028-03242-000	18.5'
<b>BW, BX**</b>	028-03242-000	17.5'	028-09951-000	3.5'	028-09951-000	6'
			028-03242-000	17.5'	028-03242-000	17.5'
<b>IW, IX*</b>	028-03242-000	21'	028-09951-000	4'	028-09951-000	7'
			028-03242-000	21'	028-03242-000	21'
<b>IW, IX**</b>	028-03242-000	19.5'	028-09951-000	4'	028-09951-000	7'
			028-03242-000	19.5'	028-03242-000	19.5'
<b>OW, OX O8, O9*</b>	028-03242-000	24.5'	028-09951-000	4.5'	028-09951-000	8'
			028-03242-000	24.5'	028-03242-000	24.5'
<b>OW, OX O8, O9**</b>	028-03242-000	22.5'	028-09951-000	4.5'	028-09951-000	8'
			028-03242-000	22.5'	028-03242-000	22.5'
<b>UW, UX U8, U9*</b>	028-03242-000	26'	028-09951-000	5'	028-09951-000	8.5'
			028-03242-000	26'	028-03242-000	26'
<b>UW, UX U8, U9**</b>	028-03242-000	24.5'	028-09951-000	4.5'	028-09951-000	8.5'
			028-03242-000	24.5'	028-03242-000	24.5'
<b>YW, YX Y8, Y9*</b>	028-03242-000	37'	028-09951-000	7'	028-09951-000	12'
			028-03242-000	37'	028-03242-000	37'
<b>YW, YX Y8, Y9**</b>	028-03242-000	33'	028-09951-000	6.5'	028-09951-000	12'
			028-03242-000	33'	028-03242-000	33'

**NOTE:**

\* Cooling Only Waterbox Arrangement

\*\*Heat Recovery Waterbox Arrangement

When ordering Gasket Material specify length required by replacing the -000 with either -025 for 25', -050 for 50', or -100 for 100'.



LD13823

**FIGURE 56 - CONDENSER HEAT RECOVERY 150 LB. WATERBOX GASKET**