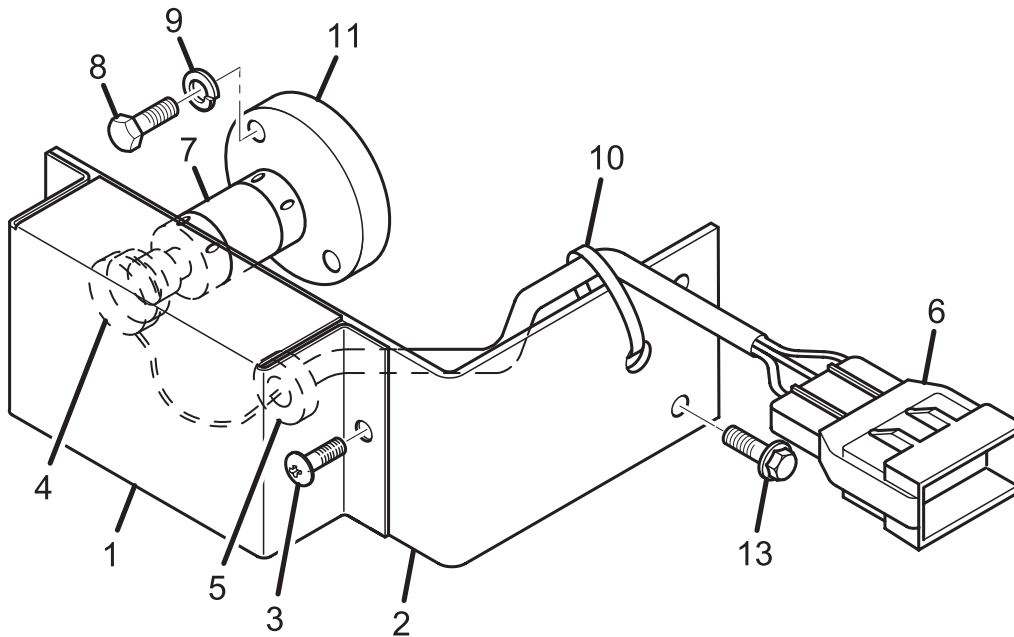


PRV POSITION SENSOR KIT (371-02012-001)

TABLE 27 - PRV POSITION SENSOR KIT (371-02012-001)

ITEM	DESCRIPTION	PART NUMBER	QUANTITY/ UNIT	FIGURE
1	Cover, PRV Position Sensor	071-02012-002	1	32
2	Bracket, Support Upper PRV	371-02012-209	1	32
3	Screw, Tapping Thread Forming	021-13757-000	2	32
4	POT, 2500 Ohms 2 Watt	025-32570-000	1	32
5	Bushing, Strain Relief Straight	025-09080-000	1	32
6	Cable PRV Sensor VSD	571-02012-005	1	32
7	Coupling, Shaft, Flexible	029-24196-000	1	32
8	Screw, Cap Hex Soc Hd #10	021-18674-000	2	32
9	Lockwasher, Hel Spg #10	032-08292-000	2	32
10	Strap, Cable T and B L4-18-9-M	025-18167-000	1	32
11	Cap, PRV Sensor	071-02012-006	1	32
12	Shaft, PRV Position Sensor	071-02012-007	1	32
13	Screw, Washer Assy.	021-18487-000	2	32



LD13053

FIGURE 32 - PRV POSITION SENSOR KIT

VARIABLE SPEED OIL PUMP CONTROL PANEL