

HOT GAS BYPASS COMPONENTS 3" WITH ISOLATION VALVE

TABLE 25 - 3" HOT GAS BYPASS

ITEM	DESCRIPTION	PART NUMBER	QUANTITY/ UNIT	FIGURE
1	Valve, Butterfly 3"	022-10643-003	1	30
1A	O-ring, Neoprene 4.10 ID .210 Thk	028-12961-025	2	
5	Valve, Ball 3" Flanged	022-09739-000	1	30
6	Gasket, ANSI 3-150#	028-15075-008	1	30
7	HCS5, .625-11 x 4.75 GR5 Zn	021-32010-038	4	30
8	HCS5, .625-11 x 3 GR5 Zn	021-32010-024	4	30
9	Nut, Hex .625-11 GR5 Zn	021-32010-501	8	30
10	Motor, Actuator	025-38180-000	1	*
11	Kit, PRV Position Sensor	371-02012-001	1	32

3" WITHOUT ISOLATION VALVE

ITEM	DESCRIPTION	PART NUMBER	QUANTITY/ UNIT	FIGURE
1	Valve, Butterfly 3"	022-10643-003	1	30
1A	O-ring, Neoprene 4.10 ID .210 Thk	028-12961-025	2	
7	HCS5, .625-11 x 4.75 GR5 Zn	021-32010-038	4	30
9	Nut, Hex .625-11 x GR5 Zn	021-32010-501	4	30
10	Motor, Actuator	025-38180-000	1	*
11	Kit, PRV Position Sensor	371-02012-001	1	32

NOTE: Items with an * are NOT represented.

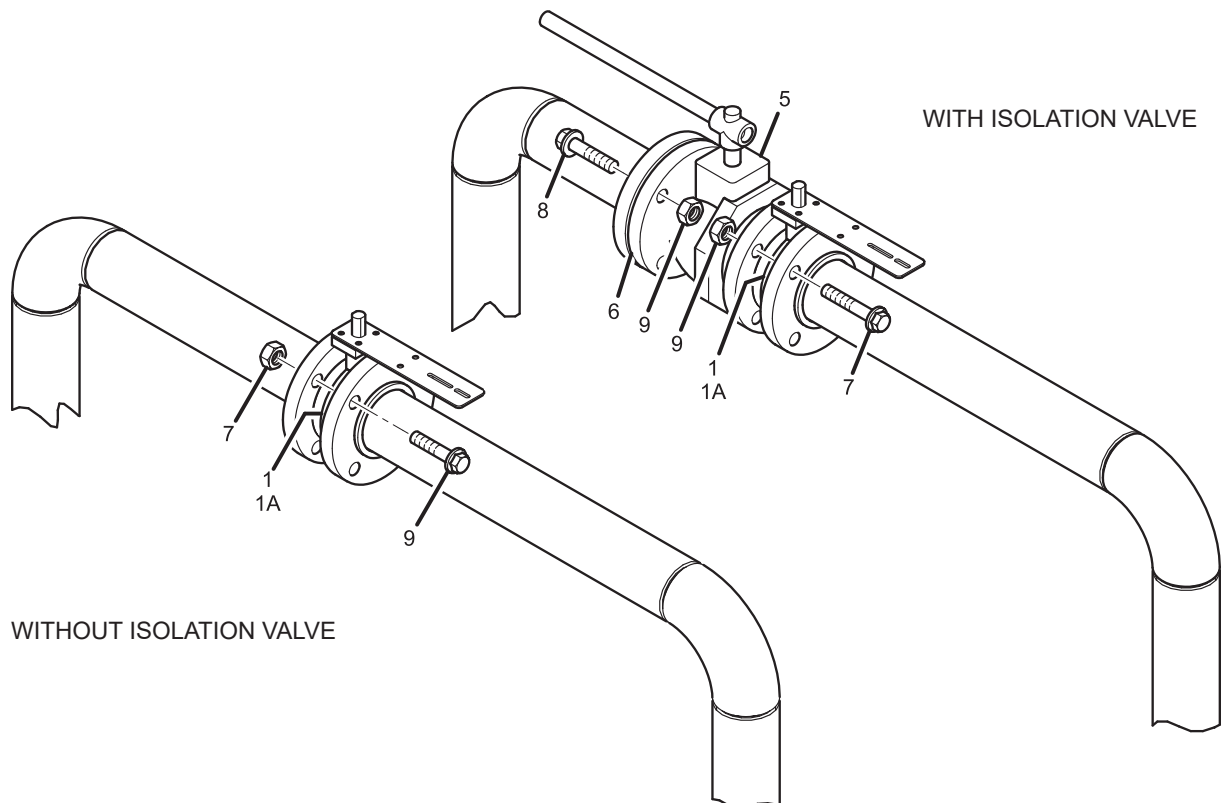


FIGURE 30 - HOT GAS BYPASS (3")

LD13051