

OIL RETURN LINE

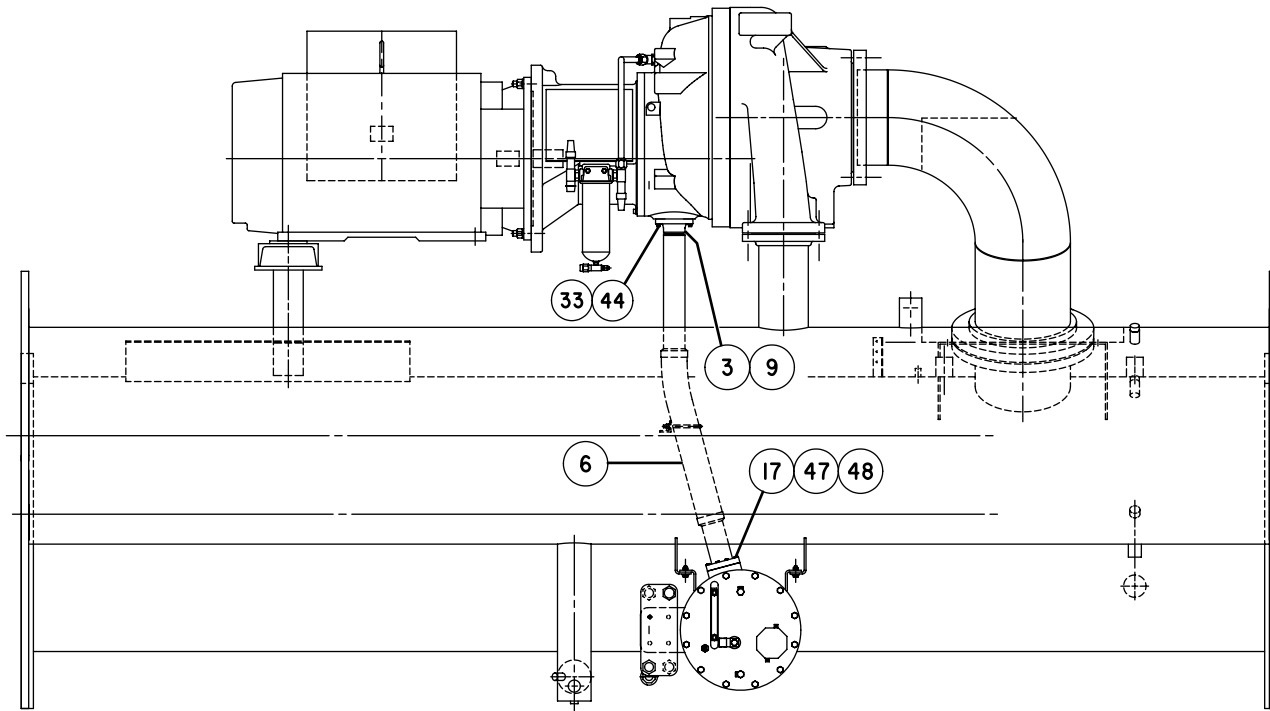


FIG. 26 - OIL RETURN LINE

LD08939

ITEM	DESCRIPTION	QTY.	PART NUMBER
3	FLANGE, OIL DRAIN	1	064 48289 000
6	HOSE, BRAIDED FLEX METAL	-	-
	50" LONG	1	026 37992 001
	46" LONG	1	026 37992 002
	56" LONG	1	026 37992 003
	58" LONG	1	026 37992 004
	63" LONG	1	026 37992 005
9	SEAL, O-RING 3-1/8 ID X 3-1/2	1	028 12597 000
17	SCREW, CAP HEX 1/4 -20UNC	8	021 01392 000
33	LOCKWASHER, HEL SPG 3/8 REG	8	021 05269 000
44	SCREW, CAP 12PT HD 3/8	8	021 11175 000
47	LOCKWASHER, HEL SPG 1/4 REG	8	021 05267 000
48	SEAL, O-RING 2-3/4 ID X	1	028 05166 000