

DEVICE PRE-ROTATION MODEL K1

ITEM	DESCRIPTION	Part Number	Qty.
1	Ring, Vane Driving K1-2	064 51667 000	1
2	Vane, Pre-Rotation K1-2	064 51641 000	9
3	Arm, PRV	064 47508 000	9
4	Spacer, PRV Arm K1-2	064 51668 000	9
5	Washer, Special PRV	064 47516 000	9
6	Washer, Plain 17/64 ID 1/2	021 11973 000	18
7	Stud, Ball 1/4-28 Unf	029 15924 000	9
8	Screw, Cap 12pt Hd 1/2	021 11515 000	9
9	Nut, Selflock 1/4-28 Unf	021 12943 000	9
10	Lubricant, Molybdenum	011 00253 000	.001
11	Housing, PRV K1	064 51764 000	1
12	Bearing, Ball Deep Groove	029 25106 000	18
13	Spacer	064 51815 000	9
14	Spring, Crest-to-Crest Type	029 25107 000	9

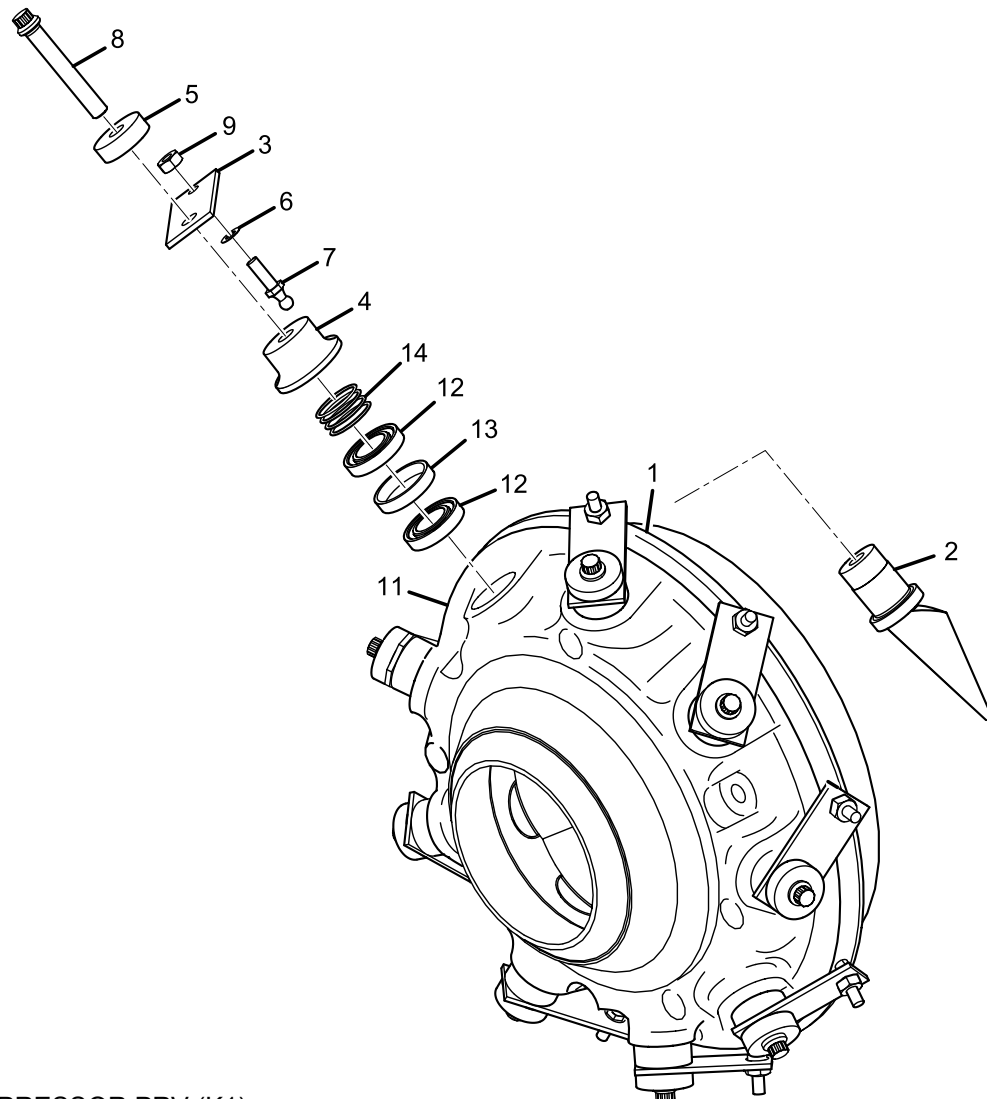


FIG. 5 – COMPRESSOR PRV (K1)

LD12810